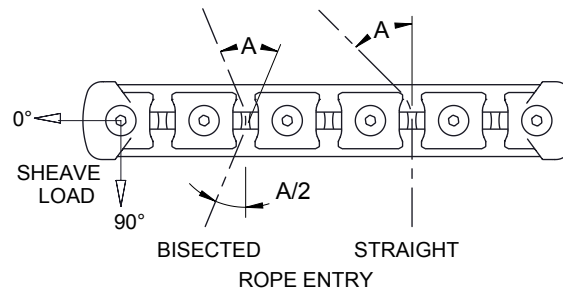


MAXIMUM SHEAVE LOADS:

| | |
|-------------------|--------|
| LONGITUDINAL (0°) | 2500kg |
| TRANSVERSE (90°) | 1750kg |
| COMBINED | 2500kg |

MAX ROPE TENSION (kg)

| DEFLECTION ANGLE 'A' (°) | BISECTED ENTRY | STRAIGHT ENTRY |
|--------------------------|----------------|----------------|
| 15 | 9580 | 9410 |
| 30 | 4830 | 4510 |
| 45 | 3270 | 2820 |
| 60 | 2500 | 1960 |
| 90 | 1770 | 1240 |



SHEAVE SPACING:

STANDARD SHEAVE SPACING SHOWN.
CUSTOM SPACING AVAILABLE IN 1.0MM INCREMENTS.

WEIGHT:

510g (INCLUDING FULL LENGTH STAINLESS STEEL DECK FIXINGS)
TITANIUM OPTION AVAILABLE (344g) - CONTACT SPINLOCK FOR MORE INFORMATION.

INSTALLATION:

MOUNTING SURFACE MUST BE SUFFICIENTLY STRONG AND STIFF TO WITHSTAND COMPRESSIVE AND SHEAR FORCES EXERTED BY SHEAVE LOADING

spinlock
BE ADVENTURE-PROOF



WARNING:
IF USING AS TEMPLATE, ENSURE PRINTER SETTINGS ARE ADJUSTED TO ACCOUNT FOR THE DRAWING SCALE AND **ALWAYS** CHECK DIMENSIONS.



COPYRIGHT:
THIS DRAWING IS PROTECTED BY COPYRIGHT. ANY USE IS FORBIDDEN WITHOUT THE WRITTEN CONSENT OF SPINLOCK.

ALL DIMENSIONS IN MM

SCALE

1:2

PAGE SIZE
(297 x 210)

A4

DATE:

OCT17

LINE SIZE:

Ø15 MAX

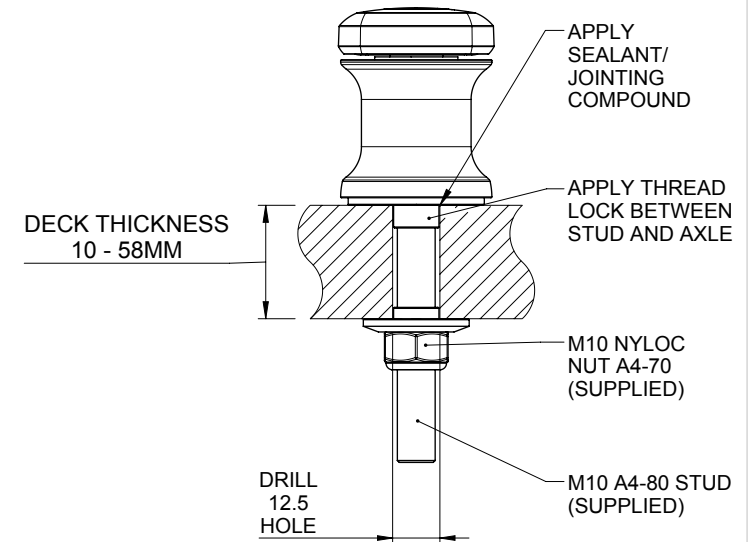
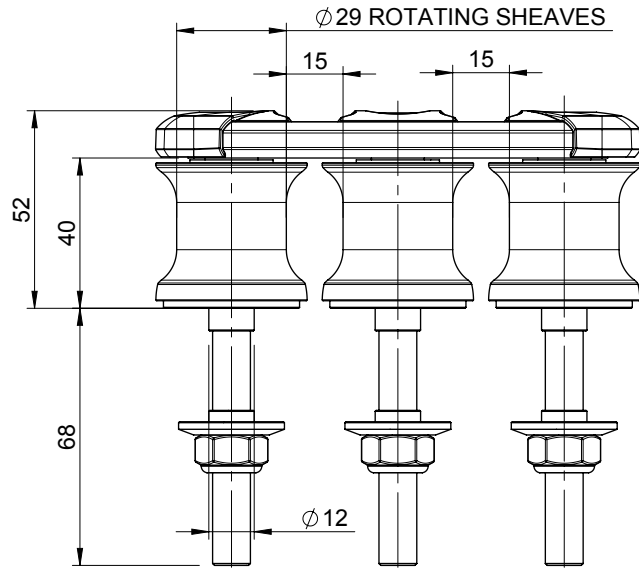
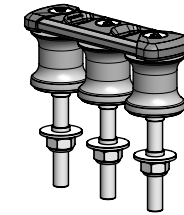
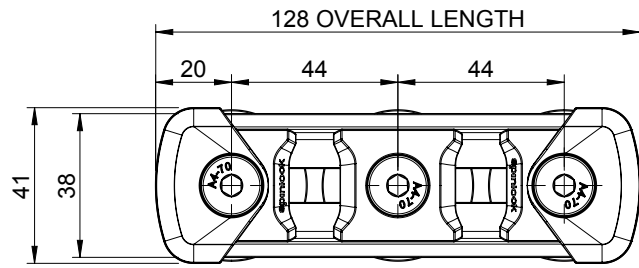
FASTENERS:

2 x M10

MAX LOAD:

SEE TABLE

TSR30/2

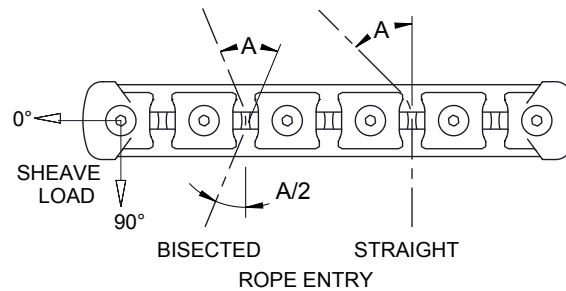


MAXIMUM SHEAVE LOADS:

| | |
|-------------------|--------|
| LONGITUDINAL (0°) | 2500kg |
| TRANSVERSE (90°) | 1750kg |
| COMBINED | 3750kg |

MAX ROPE TENSION (kg)

| DEFLECTION ANGLE 'A' (°) | BISECTED ENTRY | STRAIGHT ENTRY |
|--------------------------|----------------|----------------|
| 15 | 9580 | 9410 |
| 30 | 4830 | 4510 |
| 45 | 3270 | 2820 |
| 60 | 2500 | 1960 |
| 90 | 1770 | 1240 |



SHEAVE SPACING:

STANDARD SHEAVE SPACING SHOWN.
CUSTOM SPACING AVAILABLE IN 1.0MM INCREMENTS.

WEIGHT:

766g (INCLUDING FULL LENGTH STAINLESS STEEL DECK FIXINGS)
TITANIUM OPTION AVAILABLE (518g) - CONTACT SPINLOCK FOR MORE INFORMATION.

INSTALLATION:

MOUNTING SURFACE MUST BE SUFFICIENTLY STRONG AND STIFF TO WITHSTAND COMPRESSIVE AND SHEAR FORCES EXERTED BY SHEAVE LOADING

spinlock
BE ADVENTURE-PROOF



WARNING:
IF USING AS TEMPLATE, ENSURE PRINTER SETTINGS ARE ADJUSTED TO ACCOUNT FOR THE DRAWING SCALE AND **ALWAYS** CHECK DIMENSIONS.



COPYRIGHT:
THIS DRAWING IS PROTECTED BY COPYRIGHT. ANY USE IS FORBIDDEN WITHOUT THE WRITTEN CONSENT OF SPINLOCK.

ALL DIMENSIONS IN MM

SCALE

1:2

PAGE SIZE
(297 x 210)

A4

DATE:

OCT17

LINE SIZE:

Ø15 MAX

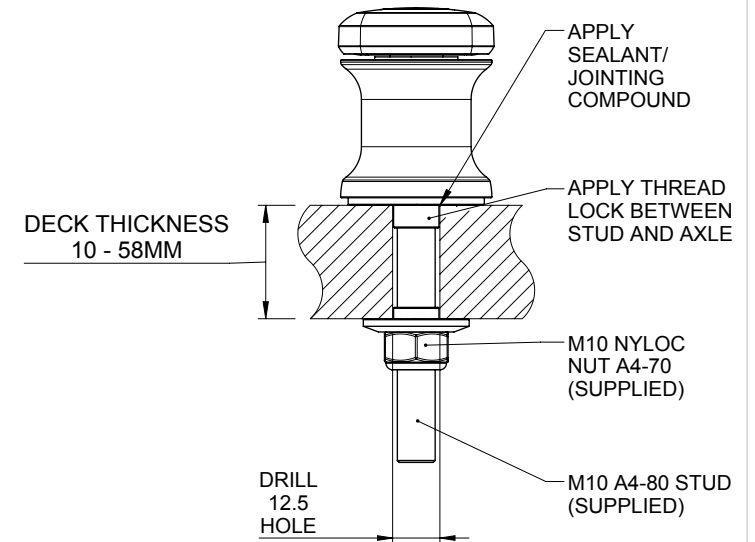
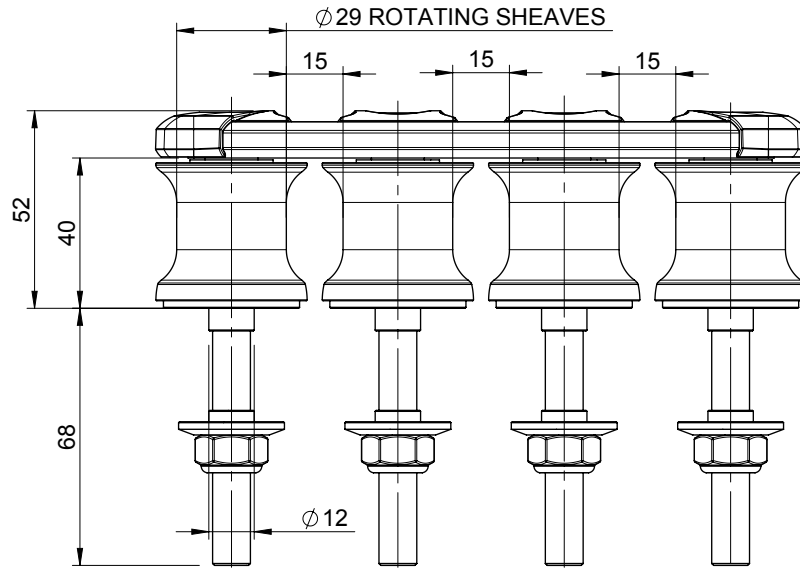
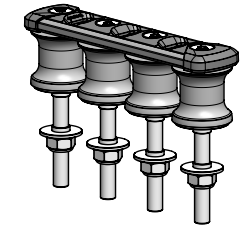
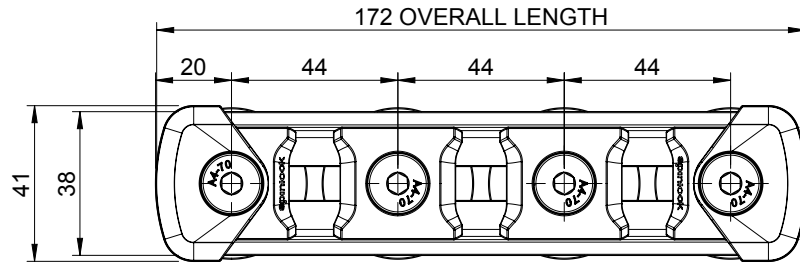
FASTENERS:

3 x M10

MAX LOAD:

SEE TABLE

TSR30/3

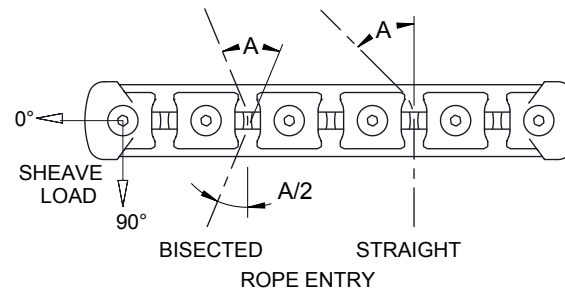


MAXIMUM SHEAVE LOADS:

| | |
|-------------------|--------|
| LONGITUDINAL (0°) | 2500kg |
| TRANSVERSE (90°) | 1750kg |
| COMBINED | 5000kg |

MAX ROPE TENSION (kg)

| DEFLECTION ANGLE 'A' (°) | BISECTED ENTRY | STRAIGHT ENTRY |
|--------------------------|----------------|----------------|
| 15 | 9580 | 9410 |
| 30 | 4830 | 4510 |
| 45 | 3270 | 2820 |
| 60 | 2500 | 1960 |
| 90 | 1770 | 1240 |



SHEAVE SPACING:

STANDARD SHEAVE SPACING SHOWN.
CUSTOM SPACING AVAILABLE IN 1.0MM INCREMENTS.

WEIGHT:

1023g (INCLUDING FULL LENGTH STAINLESS STEEL DECK FIXINGS)
TITANIUM OPTION AVAILABLE (691g) - CONTACT SPINLOCK FOR MORE INFORMATION.

INSTALLATION:

MOUNTING SURFACE MUST BE SUFFICIENTLY STRONG AND STIFF TO WITHSTAND COMPRESSIVE AND SHEAR FORCES EXERTED BY SHEAVE LOADING

spinlock
BE ADVENTURE-PROOF



WARNING:
IF USING AS TEMPLATE, ENSURE PRINTER SETTINGS ARE ADJUSTED TO ACCOUNT FOR THE DRAWING SCALE AND **ALWAYS** CHECK DIMENSIONS.



COPYRIGHT:
THIS DRAWING IS PROTECTED BY COPYRIGHT. ANY USE IS FORBIDDEN WITHOUT THE WRITTEN CONSENT OF SPINLOCK.

ALL DIMENSIONS IN MM

SCALE

1:2

PAGE SIZE
(297 x 210)

A4

DATE:

OCT17

LINE SIZE:

Ø15 MAX

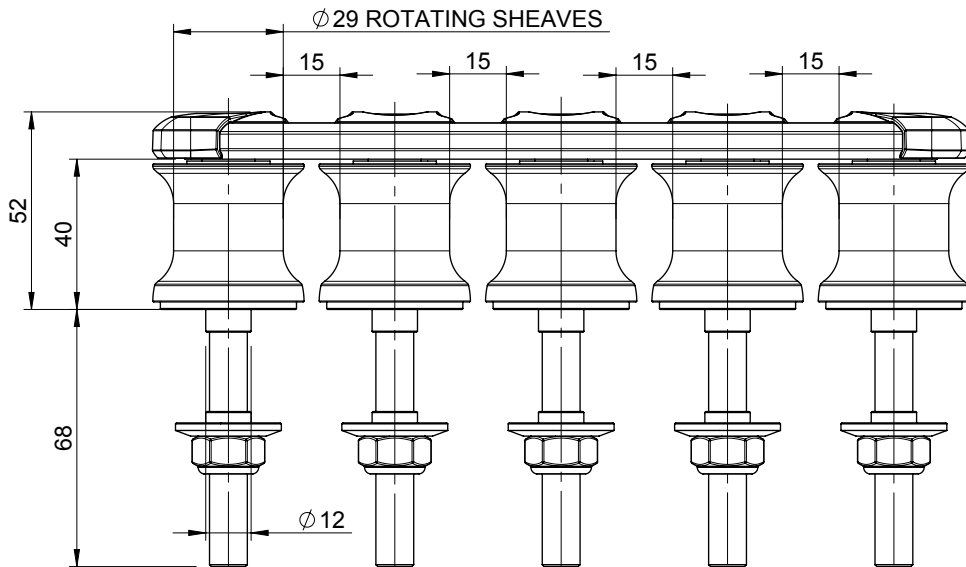
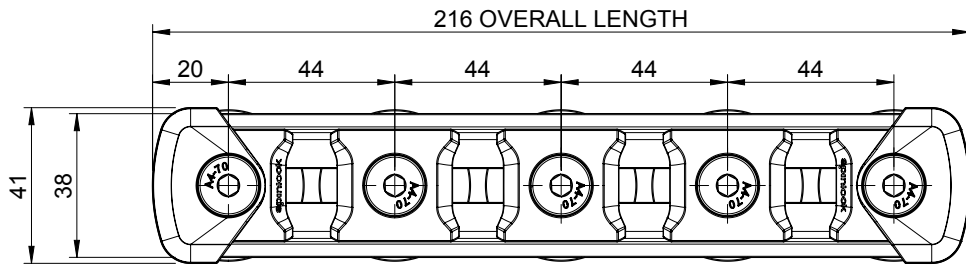
FASTENERS:

4 x M10

MAX LOAD:

SEE TABLE

TSR30/4

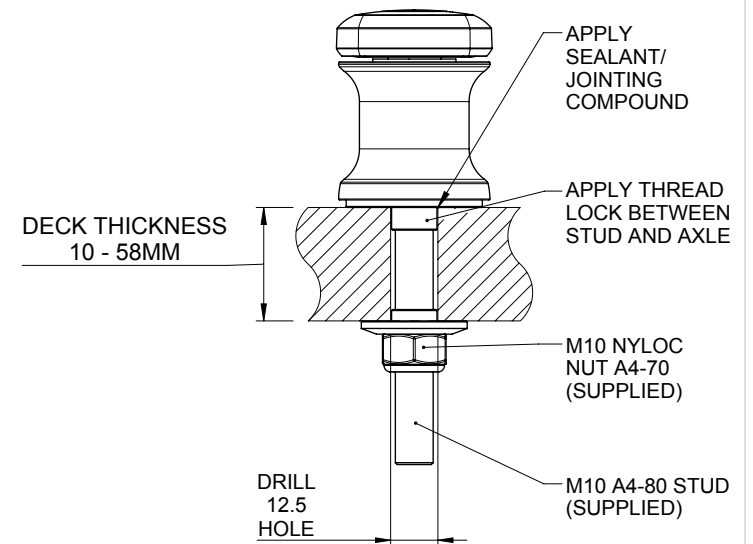
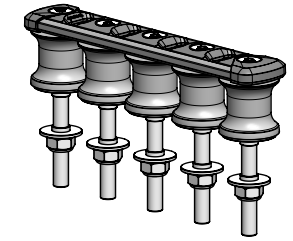
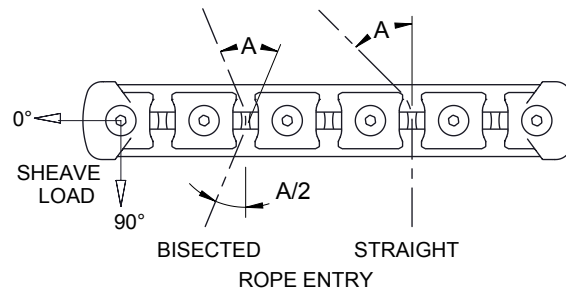


MAXIMUM SHEAVE LOADS:

| | |
|-------------------|--------|
| LONGITUDINAL (0°) | 2500kg |
| TRANSVERSE (90°) | 1750kg |
| COMBINED | 6250kg |

MAX ROPE TENSION (kg)

| DEFLECTION ANGLE 'A' (°) | BISECTED ENTRY | STRAIGHT ENTRY |
|--------------------------|----------------|----------------|
| 15 | 9580 | 9410 |
| 30 | 4830 | 4510 |
| 45 | 3270 | 2820 |
| 60 | 2500 | 1960 |
| 90 | 1770 | 1240 |



SHEAVE SPACING:

STANDARD SHEAVE SPACING SHOWN.
CUSTOM SPACING AVAILABLE IN 1.0MM INCREMENTS.

WEIGHT:

1279g (INCLUDING FULL LENGTH STAINLESS STEEL DECK FIXINGS)
TITANIUM OPTION AVAILABLE (865g) - CONTACT SPINLOCK FOR MORE INFORMATION.

INSTALLATION:

MOUNTING SURFACE MUST BE SUFFICIENTLY STRONG AND STIFF TO WITHSTAND COMPRESSIVE AND SHEAR FORCES EXERTED BY SHEAVE LOADING

spinlock
BE ADVENTURE-PROOF



WARNING:
IF USING AS TEMPLATE, ENSURE PRINTER SETTINGS ARE ADJUSTED TO ACCOUNT FOR THE DRAWING SCALE AND **ALWAYS** CHECK DIMENSIONS.



COPYRIGHT:
THIS DRAWING IS PROTECTED BY COPYRIGHT. ANY USE IS FORBIDDEN WITHOUT THE WRITTEN CONSENT OF SPINLOCK.

ALL DIMENSIONS IN MM

SCALE

1:2

PAGE SIZE
(297 x 210)

A4

DATE:

OCT17

LINE SIZE:

Ø15 MAX

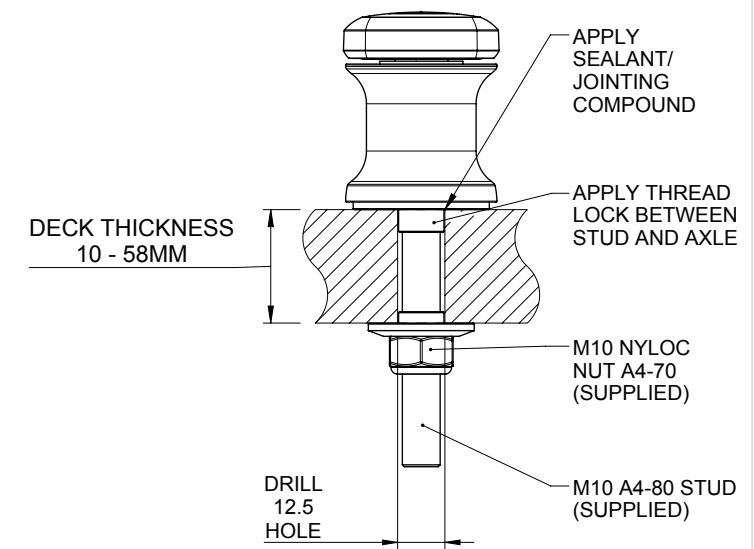
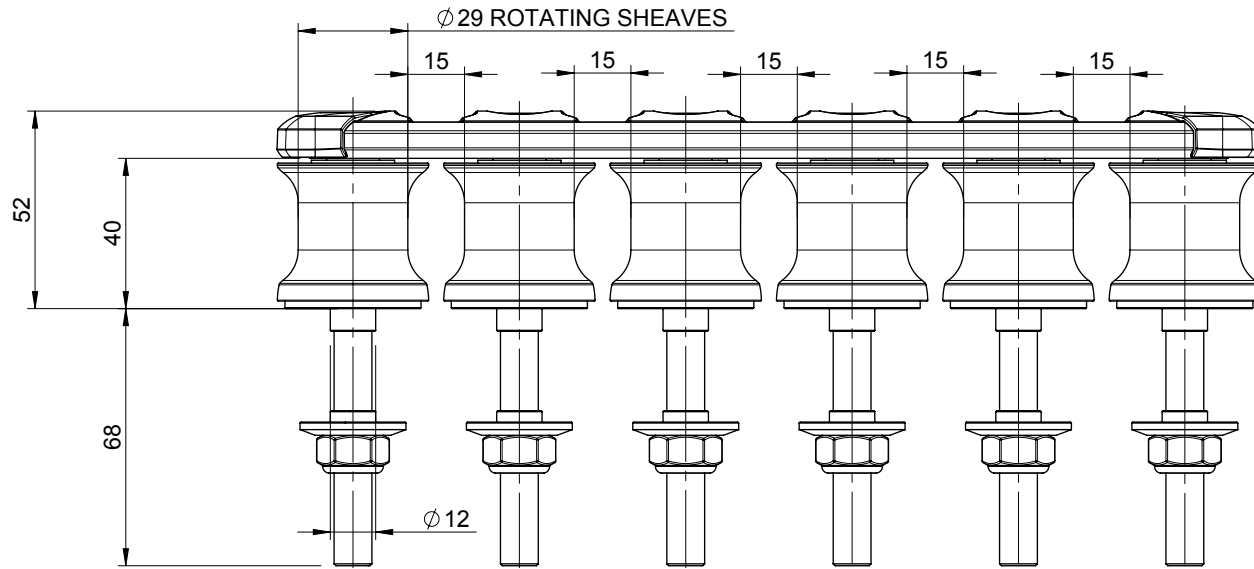
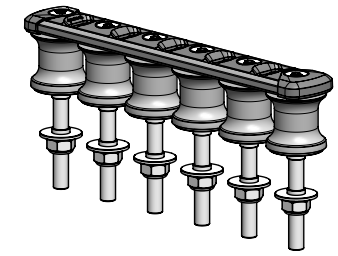
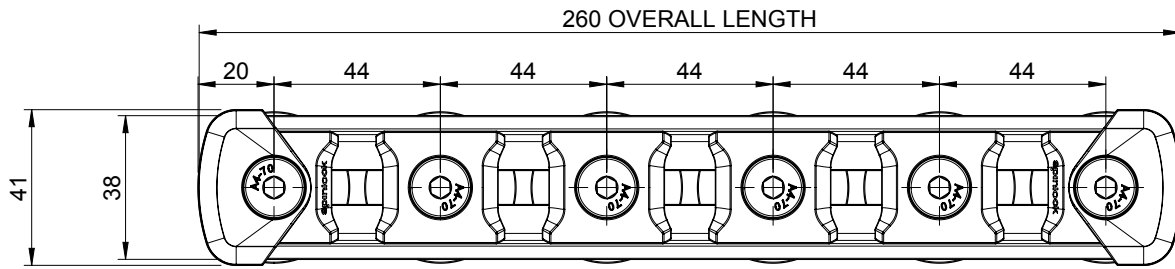
FASTENERS:

5 x M10

MAX LOAD:

SEE TABLE

TSR30/5

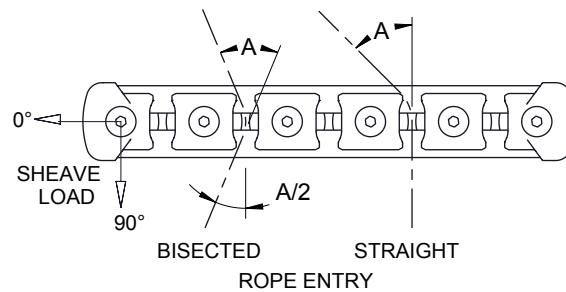


MAXIMUM SHEAVE LOADS:

| | |
|-------------------|--------|
| LONGITUDINAL (0°) | 2500kg |
| TRANSVERSE (90°) | 1750kg |
| COMBINED | 7500kg |

MAX ROPE TENSION (kg)

| DEFLECTION ANGLE 'A' (°) | BISECTED ENTRY | STRAIGHT ENTRY |
|--------------------------|----------------|----------------|
| 15 | 9580 | 9410 |
| 30 | 4830 | 4510 |
| 45 | 3270 | 2820 |
| 60 | 2500 | 1960 |
| 90 | 1770 | 1240 |



SHEAVE SPACING:

STANDARD SHEAVE SPACING SHOWN.
CUSTOM SPACING AVAILABLE IN 1.0MM INCREMENTS.

WEIGHT:

1535g (INCLUDING FULL LENGTH STAINLESS STEEL DECK FIXINGS)
TITANIUM OPTION AVAILABLE (1038g) - CONTACT SPINLOCK FOR MORE INFORMATION.

INSTALLATION:

MOUNTING SURFACE MUST BE SUFFICIENTLY STRONG AND STIFF TO WITHSTAND COMPRESSIVE AND SHEAR FORCES EXERTED BY SHEAVE LOADING

spinlock
BE ADVENTURE-PROOF



WARNING:
IF USING AS TEMPLATE, ENSURE PRINTER SETTINGS ARE ADJUSTED TO ACCOUNT FOR THE DRAWING SCALE AND ALWAYS CHECK DIMENSIONS.



COPYRIGHT:
THIS DRAWING IS PROTECTED BY COPYRIGHT. ANY USE IS FORBIDDEN WITHOUT THE WRITTEN CONSENT OF SPINLOCK.

ALL DIMENSIONS IN MM

SCALE

1:2

PAGE SIZE
(297 x 210)

A4

DATE:

OCT17

LINE SIZE:

Ø15 MAX

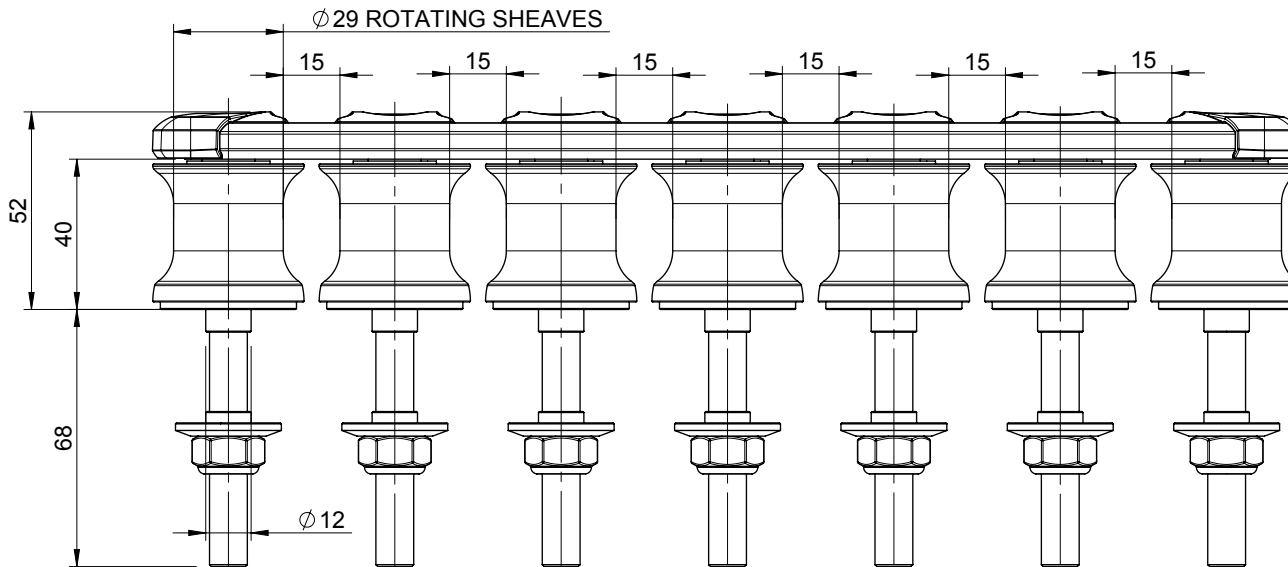
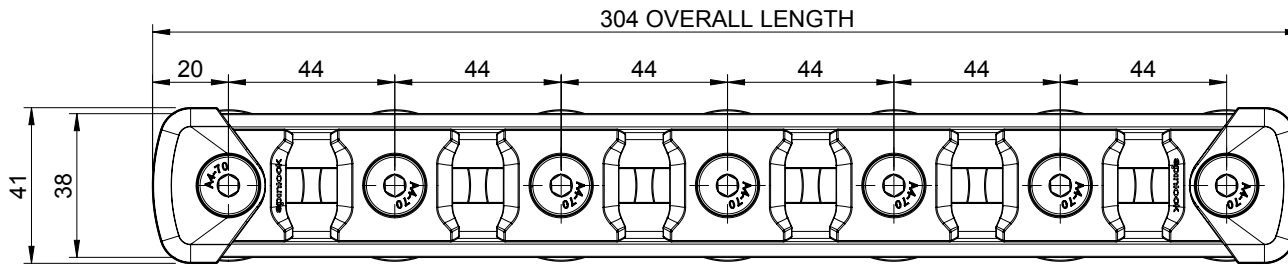
FASTENERS:

6 x M10

MAX LOAD:

SEE TABLE

TSR30/6

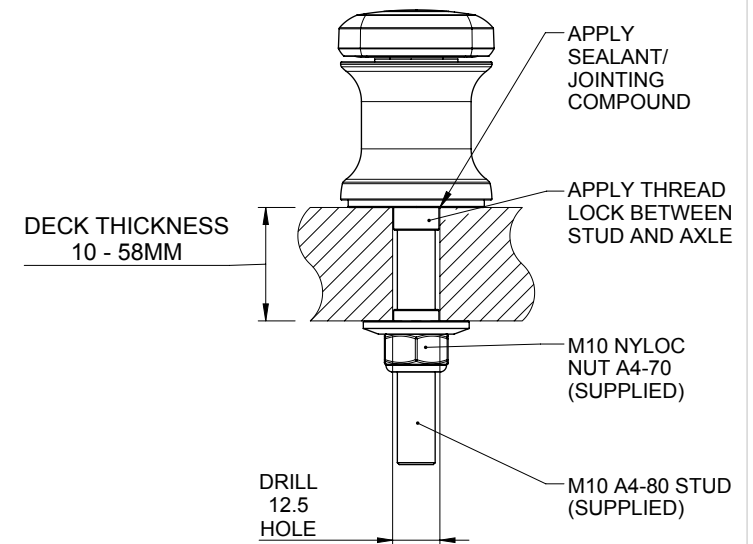
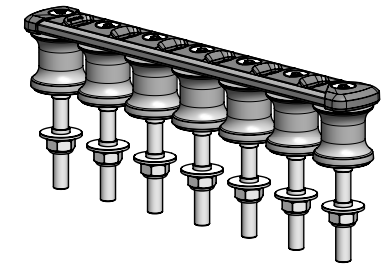
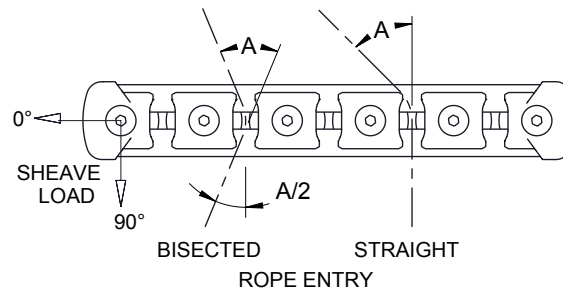


MAXIMUM SHEAVE LOADS:

| | |
|-------------------|--------|
| LONGITUDINAL (0°) | 2500kg |
| TRANSVERSE (90°) | 1750kg |
| COMBINED | 8750kg |

MAX ROPE TENSION (kg)

| DEFLECTION ANGLE 'A' (°) | BISECTED ENTRY | STRAIGHT ENTRY |
|--------------------------|----------------|----------------|
| 15 | 9580 | 9410 |
| 30 | 4830 | 4510 |
| 45 | 3270 | 2820 |
| 60 | 2500 | 1960 |
| 90 | 1770 | 1240 |



SHEAVE SPACING:

STANDARD SHEAVE SPACING SHOWN.
CUSTOM SPACING AVAILABLE IN 1.0MM INCREMENTS.

WEIGHT:

1792g (INCLUDING FULL LENGTH STAINLESS STEEL DECK FIXINGS)
TITANIUM OPTION AVAILABLE (1212g) - CONTACT SPINLOCK FOR MORE INFORMATION.

INSTALLATION:

MOUNTING SURFACE MUST BE SUFFICIENTLY STRONG AND STIFF TO WITHSTAND COMPRESSIVE AND SHEAR FORCES EXERTED BY SHEAVE LOADING

spinlock
BE ADVENTURE-PROOF



WARNING:
IF USING AS TEMPLATE, ENSURE PRINTER SETTINGS ARE ADJUSTED TO ACCOUNT FOR THE DRAWING SCALE AND ALWAYS CHECK DIMENSIONS.



COPYRIGHT:
THIS DRAWING IS PROTECTED BY COPYRIGHT. ANY USE IS FORBIDDEN WITHOUT THE WRITTEN CONSENT OF SPINLOCK.

ALL DIMENSIONS IN MM

SCALE

1:2

PAGE SIZE
(297 x 210)

A4

DATE:

OCT17

LINE SIZE:

Ø15 MAX

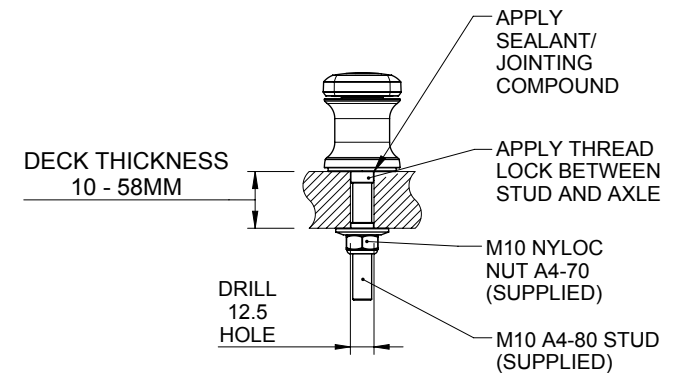
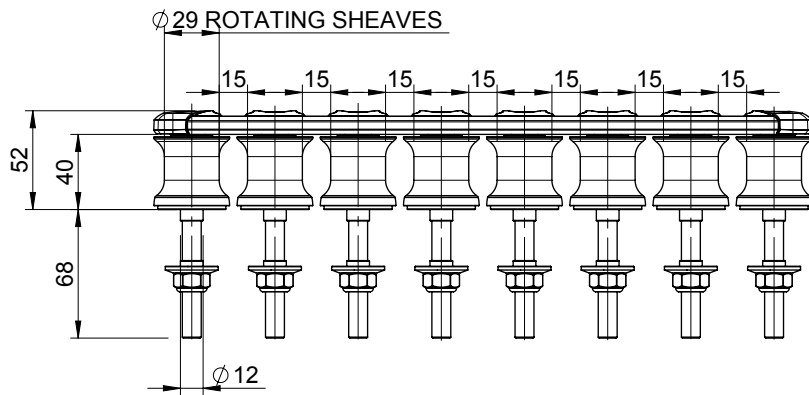
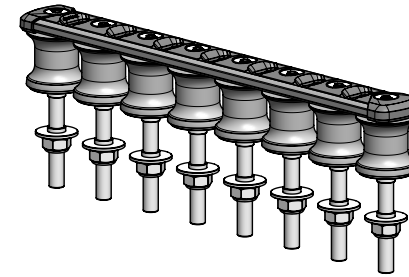
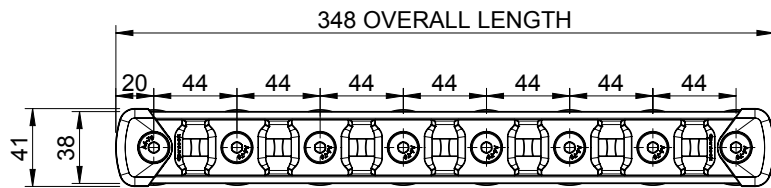
FASTENERS:

7 x M10

MAX LOAD:

SEE TABLE

TSR30/7

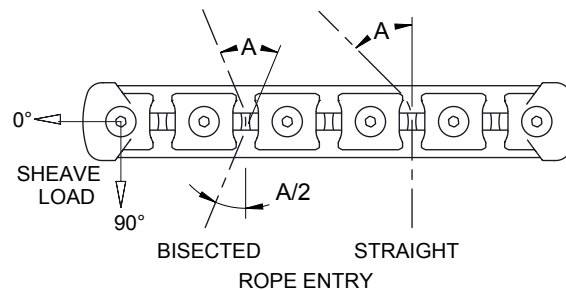


MAXIMUM SHEAVE LOADS:

| | |
|-------------------|---------|
| LONGITUDINAL (0°) | 2500kg |
| TRANSVERSE (90°) | 1750kg |
| COMBINED | 10000kg |

MAX ROPE TENSION (kg)

| DEFLECTION ANGLE 'A' (°) | BISECTED ENTRY | STRAIGHT ENTRY |
|--------------------------|----------------|----------------|
| 15 | 9580 | 9410 |
| 30 | 4830 | 4510 |
| 45 | 3270 | 2820 |
| 60 | 2500 | 1960 |
| 90 | 1770 | 1240 |



SHEAVE SPACING:

STANDARD SHEAVE SPACING SHOWN.
CUSTOM SPACING AVAILABLE IN 1.0MM INCREMENTS.

WEIGHT:

2048g (INCLUDING FULL LENGTH STAINLESS STEEL DECK FIXINGS)
TITANIUM OPTION AVAILABLE (1386g) - CONTACT SPINLOCK FOR MORE INFORMATION.

INSTALLATION:

MOUNTING SURFACE MUST BE SUFFICIENTLY STRONG AND STIFF TO WITHSTAND COMPRESSIVE AND SHEAR FORCES EXERTED BY SHEAVE LOADING

spinlock
BE ADVENTURE-PROOF

WARNING:
IF USING AS TEMPLATE, ENSURE PRINTER SETTINGS ARE ADJUSTED TO ACCOUNT FOR THE DRAWING SCALE AND **ALWAYS** CHECK DIMENSIONS.
COPYRIGHT:
THIS DRAWING IS PROTECTED BY COPYRIGHT. ANY USE IS FORBIDDEN WITHOUT THE WRITTEN CONSENT OF SPINLOCK.

ALL DIMENSIONS IN MM

SCALE

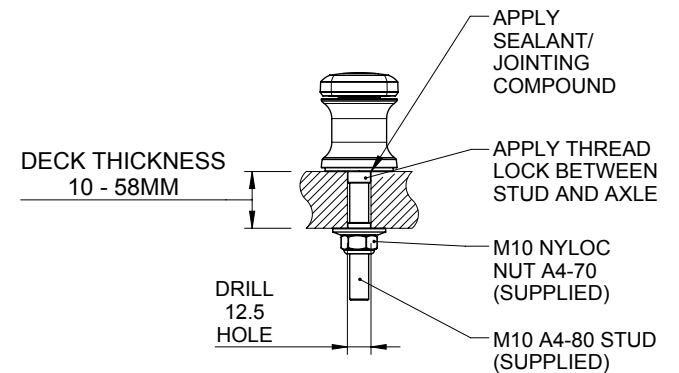
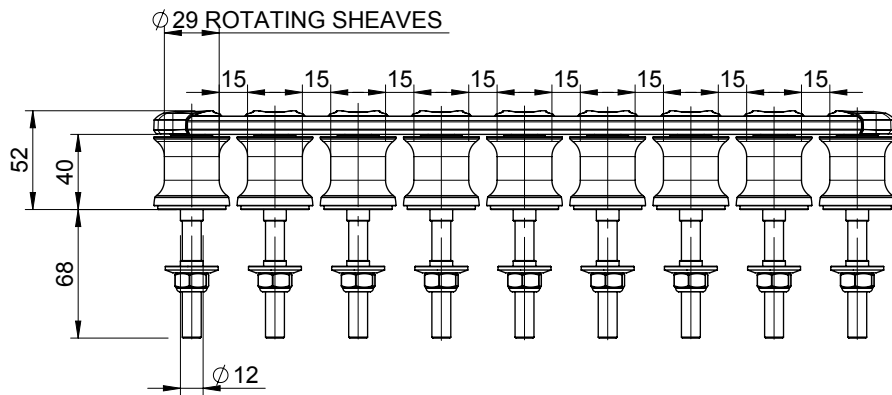
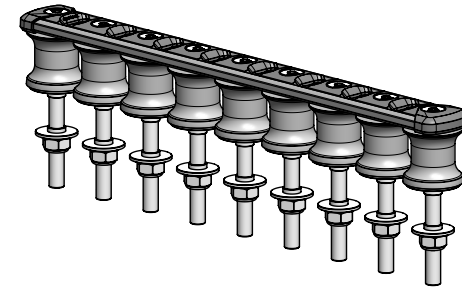
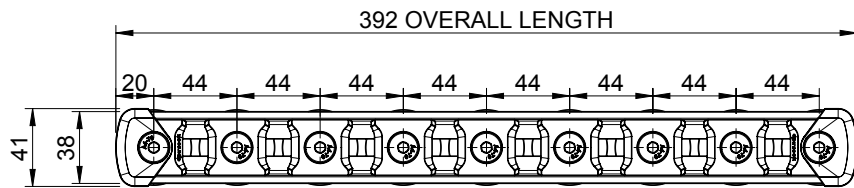
1:4

PAGE SIZE
(297 x 210)

A4

| | |
|------------|-----------|
| DATE: | SEP17 |
| LINE SIZE: | Ø15 MAX |
| FASTENERS: | 8 x M10 |
| MAX LOAD: | SEE TABLE |

TSR30/8

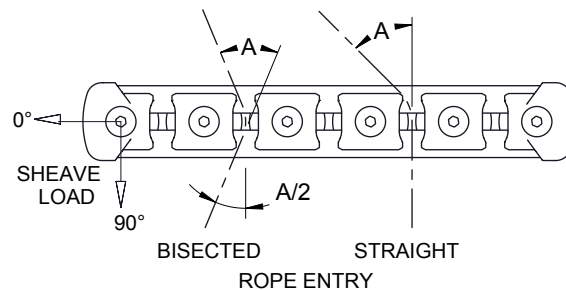


MAXIMUM SHEAVE LOADS:

| | |
|-------------------|---------|
| LONGITUDINAL (0°) | 2500kg |
| TRANSVERSE (90°) | 1750kg |
| COMBINED | 11250kg |

MAX ROPE TENSION (kg)

| DEFLECTION ANGLE 'A' (°) | BISECTED ENTRY | STRAIGHT ENTRY |
|--------------------------|----------------|----------------|
| 15 | 9580 | 9410 |
| 30 | 4830 | 4510 |
| 45 | 3270 | 2820 |
| 60 | 2500 | 1960 |
| 90 | 1770 | 1240 |



SHEAVE SPACING:

STANDARD SHEAVE SPACING SHOWN.
CUSTOM SPACING AVAILABLE IN 1.0MM INCREMENTS.

WEIGHT:

2305g (INCLUDING FULL LENGTH STAINLESS STEEL DECK FIXINGS)
TITANIUM OPTION AVAILABLE (1559g) - CONTACT SPINLOCK FOR MORE INFORMATION.

INSTALLATION:

MOUNTING SURFACE MUST BE SUFFICIENTLY STRONG AND STIFF TO WITHSTAND COMPRESSIVE AND SHEAR FORCES EXERTED BY SHEAVE LOADING

spinlock
BE ADVENTURE-PROOF



WARNING:
IF USING AS TEMPLATE, ENSURE PRINTER SETTINGS ARE ADJUSTED TO ACCOUNT FOR THE DRAWING SCALE AND **ALWAYS** CHECK DIMENSIONS.



COPYRIGHT:
THIS DRAWING IS PROTECTED BY COPYRIGHT. ANY USE IS FORBIDDEN WITHOUT THE WRITTEN CONSENT OF SPINLOCK.

ALL DIMENSIONS IN MM

SCALE

1:4

PAGE SIZE
(297 x 210)

A4

DATE:

SEP17

LINE SIZE:

Ø15 MAX

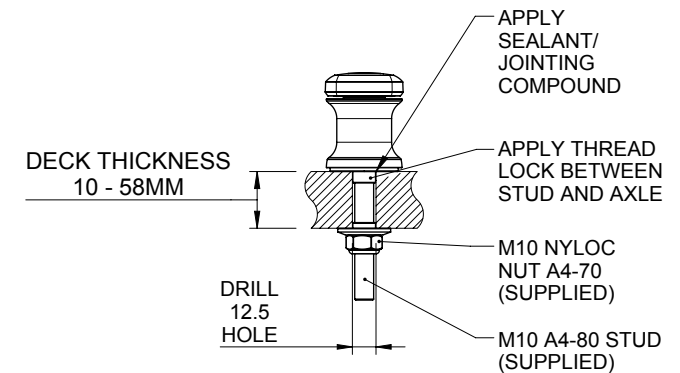
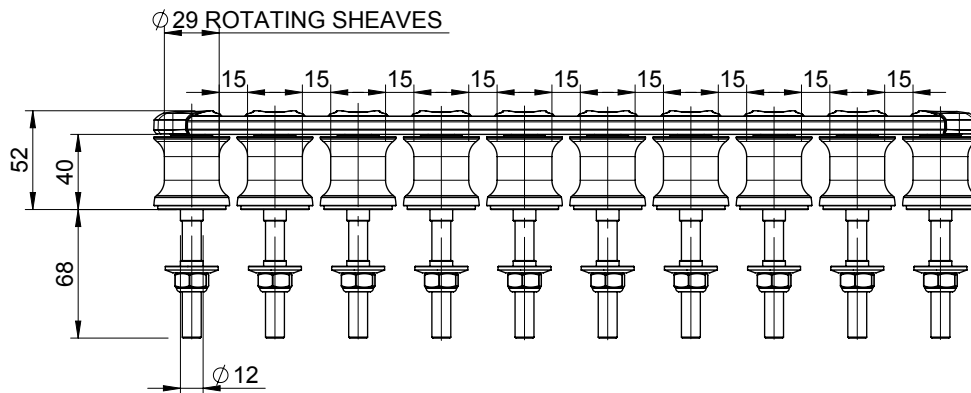
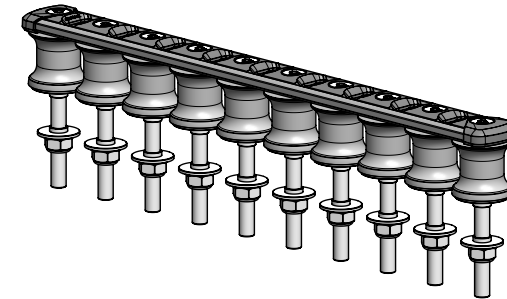
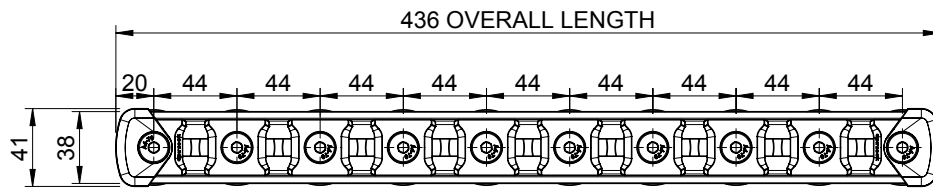
FASTENERS:

9 x M10

MAX LOAD:

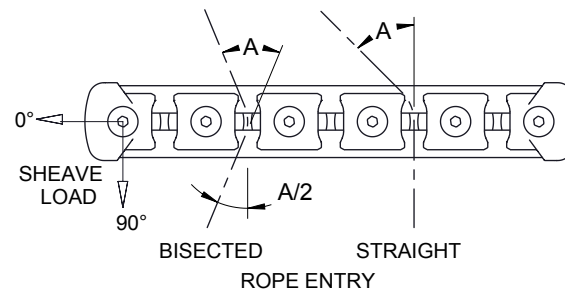
SEE TABLE

TSR30/9



MAXIMUM SHEAVE LOADS:
 LONGITUDINAL (0°) 2500kg
 TRANSVERSE (90°) 1750kg
 COMBINED 12500kg

| MAX ROPE TENSION (kg) | | |
|-----------------------|----------------|----------------|
| DEFLECTION | BISECTED ENTRY | STRAIGHT ENTRY |
| ANGLE 'A' (°) | | |
| 15 | 9580 | 9410 |
| 30 | 4830 | 4510 |
| 45 | 3270 | 2820 |
| 60 | 2500 | 1960 |
| 90 | 1770 | 1240 |



SHEAVE SPACING:
 STANDARD SHEAVE SPACING SHOWN.
 CUSTOM SPACING AVAILABLE IN 1.0MM INCREMENTS.

WEIGHT:
 2561g (INCLUDING FULL LENGTH STAINLESS STEEL DECK FIXINGS)
 TITANIUM OPTION AVAILABLE (1733g) - CONTACT SPINLOCK FOR MORE INFORMATION.

INSTALLATION:
 MOUNTING SURFACE MUST BE SUFFICIENTLY STRONG AND STIFF TO WITHSTAND COMPRESSIVE AND SHEAR FORCES EXERTED BY SHEAVE LOADING

spinlock
 BE ADVENTURE-PROOF

WARNING:
 IF USING AS TEMPLATE, ENSURE PRINTER SETTINGS ARE ADJUSTED TO ACCOUNT FOR THE DRAWING SCALE AND **ALWAYS** CHECK DIMENSIONS.
COPYRIGHT:
 THIS DRAWING IS PROTECTED BY COPYRIGHT. ANY USE IS FORBIDDEN WITHOUT THE WRITTEN CONSENT OF SPINLOCK.

ALL DIMENSIONS IN MM

SCALE

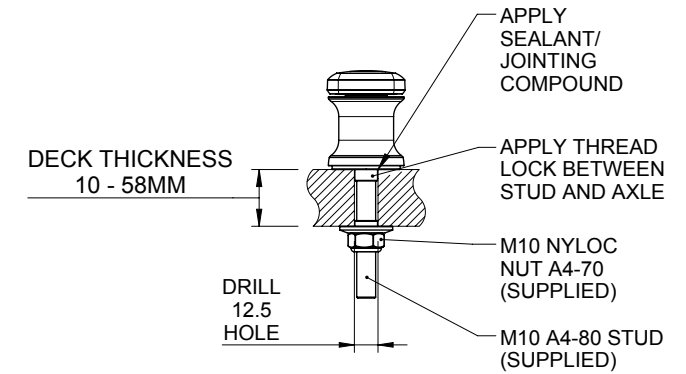
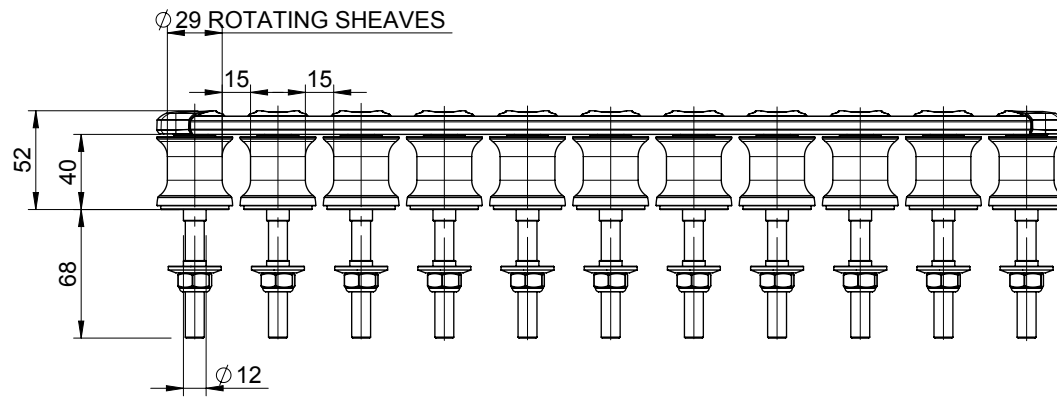
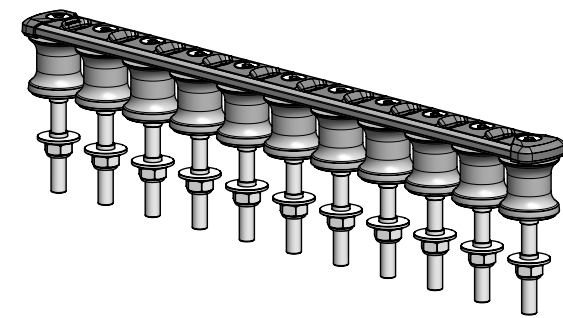
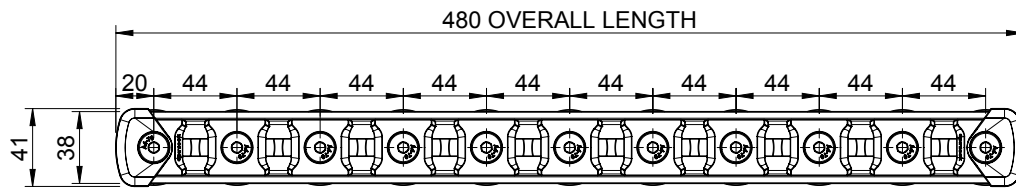
1:4

PAGE SIZE
(297 x 210)

A4

| | |
|------------|-----------|
| DATE: | SEP17 |
| LINE SIZE: | Ø15 MAX |
| FASTENERS: | 10 x M10 |
| MAX LOAD: | SEE TABLE |

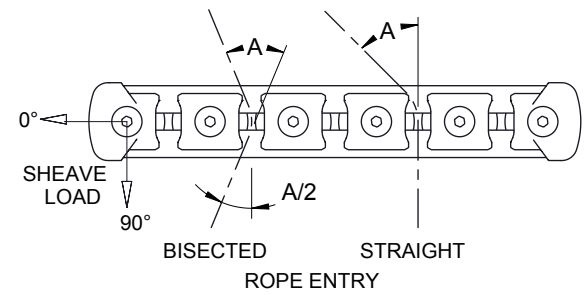
TSR30/10



MAXIMUM SHEAVE LOADS:
 LONGITUDINAL (0°) 2500kg
 TRANSVERSE (90°) 1750kg
 COMBINED 13750kg

MAX ROPE TENSION (kg)

| DEFLECTION ANGLE 'A' (°) | BISECTED ENTRY | STRAIGHT ENTRY |
|--------------------------|----------------|----------------|
| 15 | 9580 | 9410 |
| 30 | 4830 | 4510 |
| 45 | 3270 | 2820 |
| 60 | 2500 | 1960 |
| 90 | 1770 | 1240 |



SHEAVE SPACING:
 STANDARD SHEAVE SPACING SHOWN.
 CUSTOM SPACING AVAILABLE IN 1.0MM INCREMENTS.

WEIGHT:
 2818g (INCLUDING FULL LENGTH STAINLESS STEEL DECK FIXINGS)
 TITANIUM OPTION AVAILABLE (1906g) - CONTACT SPINLOCK FOR MORE INFORMATION.

INSTALLATION:
 MOUNTING SURFACE MUST BE SUFFICIENTLY STRONG AND STIFF TO WITHSTAND COMPRESSIVE AND SHEAR FORCES EXERTED BY SHEAVE LOADING

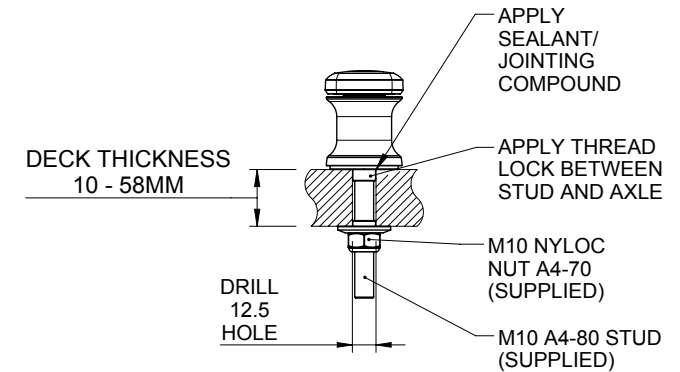
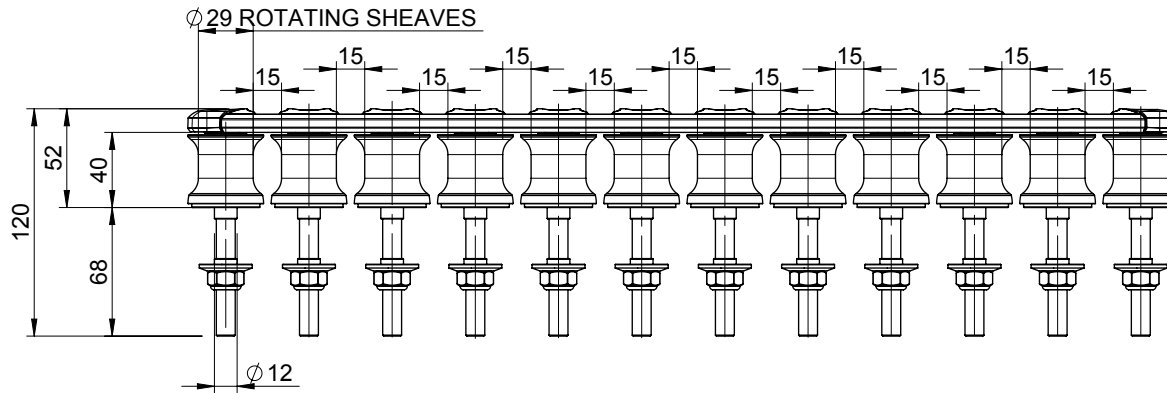
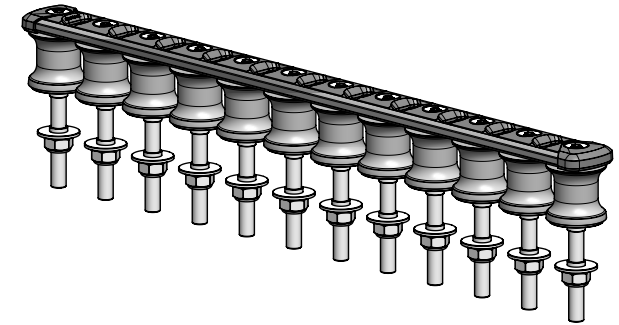
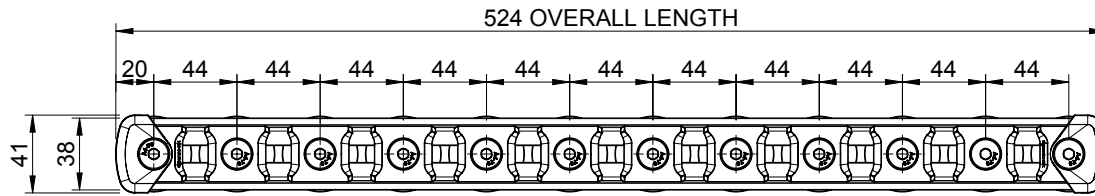
spinlock
 BE ADVENTURE-PROOF

WARNING:
 IF USING AS TEMPLATE, ENSURE PRINTER SETTINGS ARE ADJUSTED TO ACCOUNT FOR THE DRAWING SCALE AND **ALWAYS** CHECK DIMENSIONS.
COPYRIGHT:
 THIS DRAWING IS PROTECTED BY COPYRIGHT. ANY USE IS FORBIDDEN WITHOUT THE WRITTEN CONSENT OF SPINLOCK.

ALL DIMENSIONS IN MM
 SCALE 1:4
 PAGE SIZE (297 x 210)
 A4

| | |
|------------|-----------|
| DATE: | SEP17 |
| LINE SIZE: | Ø15 MAX |
| FASTENERS: | 11 x M10 |
| MAX LOAD: | SEE TABLE |

TSR30/11

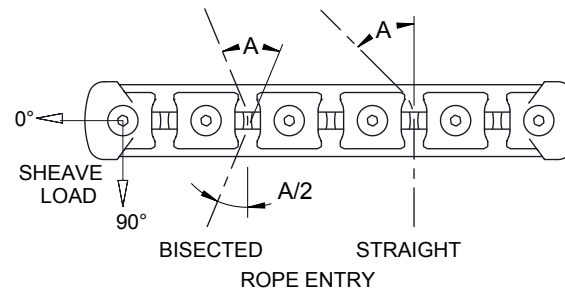


MAXIMUM SHEAVE LOADS:

| | |
|-------------------|---------|
| LONGITUDINAL (0°) | 2500kg |
| TRANSVERSE (90°) | 1750kg |
| COMBINED | 15000kg |

MAX ROPE TENSION (kg)

| DEFLECTION ANGLE 'A' (°) | BISECTED ENTRY | STRAIGHT ENTRY |
|--------------------------|----------------|----------------|
| 15 | 9580 | 9410 |
| 30 | 4830 | 4510 |
| 45 | 3270 | 2820 |
| 60 | 2500 | 1960 |
| 90 | 1770 | 1240 |



SHEAVE SPACING:

STANDARD SHEAVE SPACING SHOWN.
CUSTOM SPACING AVAILABLE IN 1.0MM INCREMENTS.

WEIGHT:

3074g (INCLUDING FULL LENGTH STAINLESS STEEL DECK FIXINGS)
TITANIUM OPTION AVAILABLE (2080g) - CONTACT SPINLOCK FOR MORE INFORMATION.

INSTALLATION:

MOUNTING SURFACE MUST BE SUFFICIENTLY STRONG AND STIFF TO WITHSTAND COMPRESSIVE AND SHEAR FORCES EXERTED BY SHEAVE LOADING

spinlock
BE ADVENTURE-PROOF



WARNING:
IF USING AS TEMPLATE, ENSURE PRINTER SETTINGS ARE ADJUSTED TO ACCOUNT FOR THE DRAWING SCALE AND **ALWAYS** CHECK DIMENSIONS.



COPYRIGHT:
THIS DRAWING IS PROTECTED BY COPYRIGHT. ANY USE IS FORBIDDEN WITHOUT THE WRITTEN CONSENT OF SPINLOCK.

ALL DIMENSIONS IN MM

SCALE

1:4

PAGE SIZE
(297 x 210)

A4

DATE:

SEP17

LINE SIZE:

Ø15 MAX

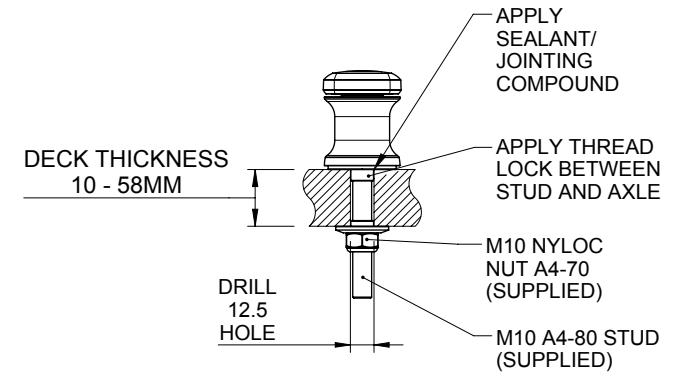
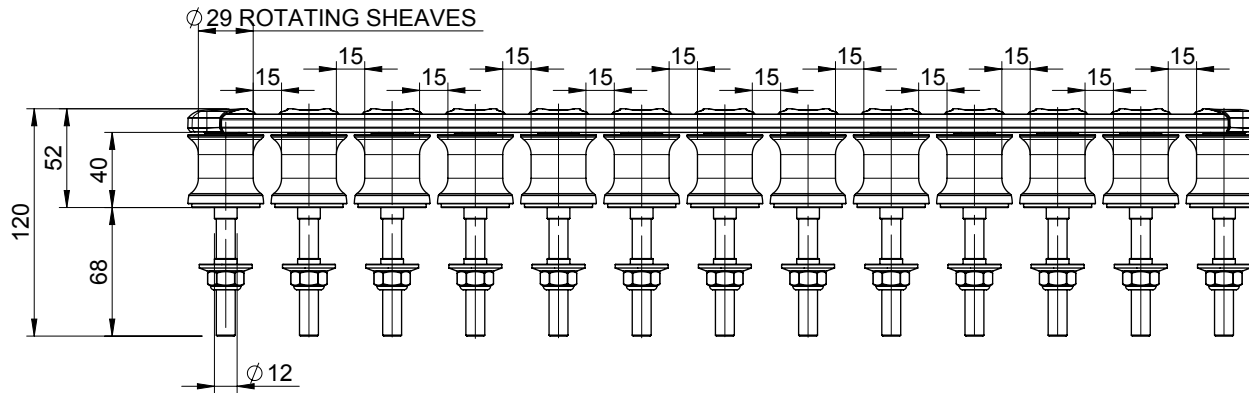
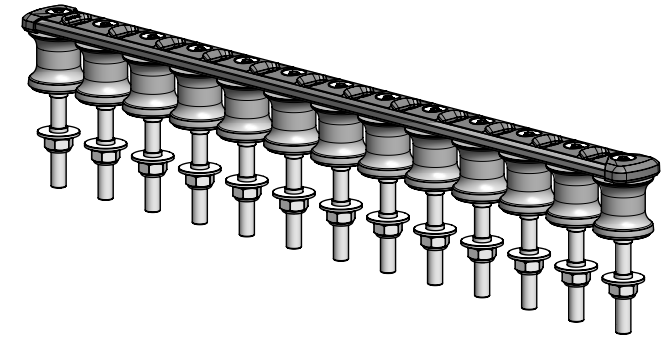
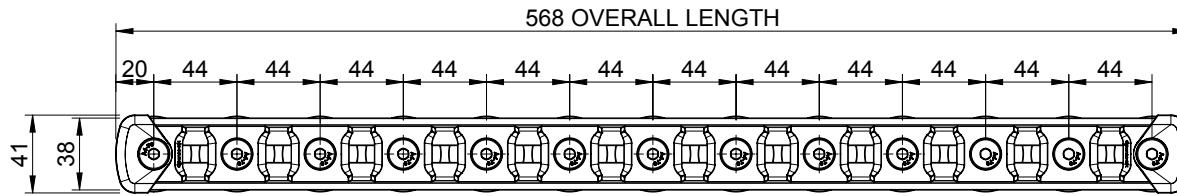
FASTENERS:

12 x M10

MAX LOAD:

SEE TABLE

TSR30/12

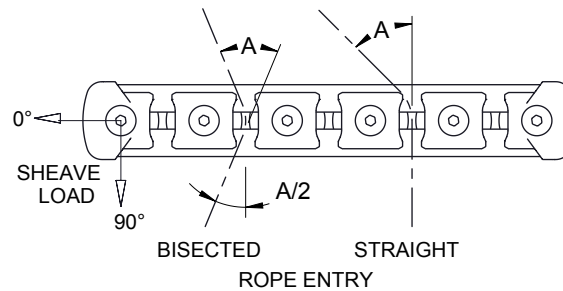


MAXIMUM SHEAVE LOADS:

| | |
|-------------------|---------|
| LONGITUDINAL (0°) | 2500kg |
| TRANSVERSE (90°) | 1750kg |
| COMBINED | 16250kg |

MAX ROPE TENSION (kg)

| DEFLECTION ANGLE 'A' (°) | BISECTED ENTRY | STRAIGHT ENTRY |
|--------------------------|----------------|----------------|
| 15 | 9580 | 9410 |
| 30 | 4830 | 4510 |
| 45 | 3270 | 2820 |
| 60 | 2500 | 1960 |
| 90 | 1770 | 1240 |



SHEAVE SPACING:

STANDARD SHEAVE SPACING SHOWN.
CUSTOM SPACING AVAILABLE IN 1.0MM INCREMENTS.

WEIGHT:

3331g (INCLUDING FULL LENGTH STAINLESS STEEL DECK FIXINGS)
TITANIUM OPTION AVAILABLE (2254g) - CONTACT SPINLOCK FOR MORE INFORMATION.

INSTALLATION:

MOUNTING SURFACE MUST BE SUFFICIENTLY STRONG AND STIFF TO WITHSTAND COMPRESSIVE AND SHEAR FORCES EXERTED BY SHEAVE LOADING

spinlock
BE ADVENTURE-PROOF



WARNING:
IF USING AS TEMPLATE, ENSURE PRINTER SETTINGS ARE ADJUSTED TO ACCOUNT FOR THE DRAWING SCALE AND **ALWAYS** CHECK DIMENSIONS.



COPYRIGHT:
THIS DRAWING IS PROTECTED BY COPYRIGHT. ANY USE IS FORBIDDEN WITHOUT THE WRITTEN CONSENT OF SPINLOCK.

ALL DIMENSIONS IN MM

SCALE

1:4

PAGE SIZE
(297 x 210)

A4

DATE:

SEP17

LINE SIZE:

Ø15 MAX

FASTENERS:

13 x M10

MAX LOAD:

SEE TABLE

TSR30/13