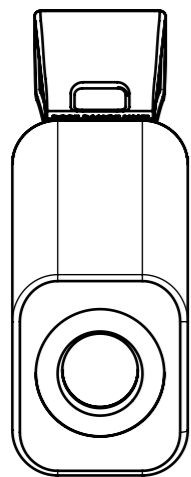
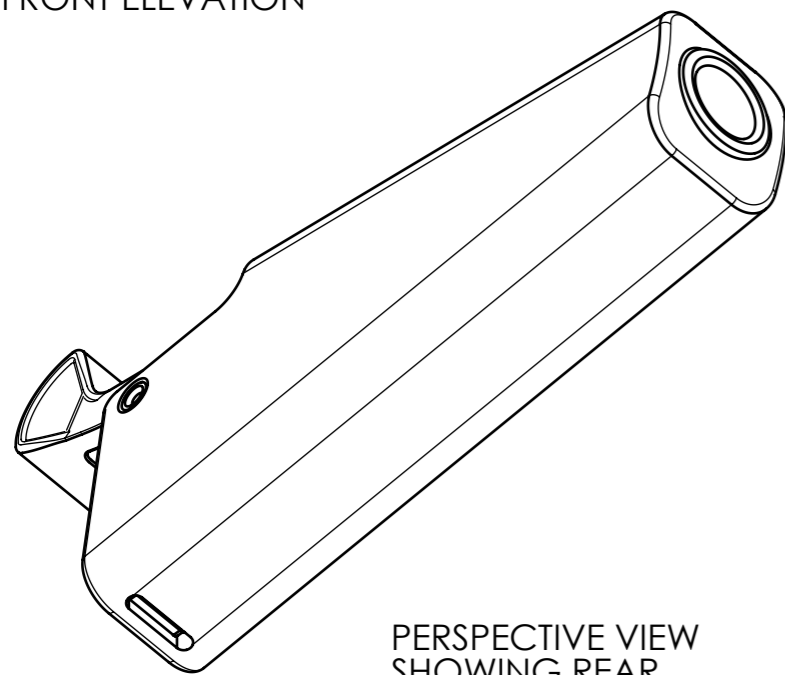


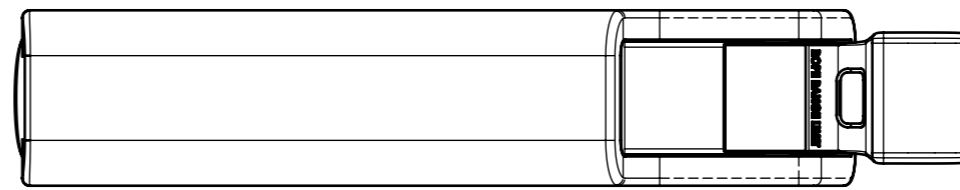
PERSPECTIVE VIEW FROM ABOVE



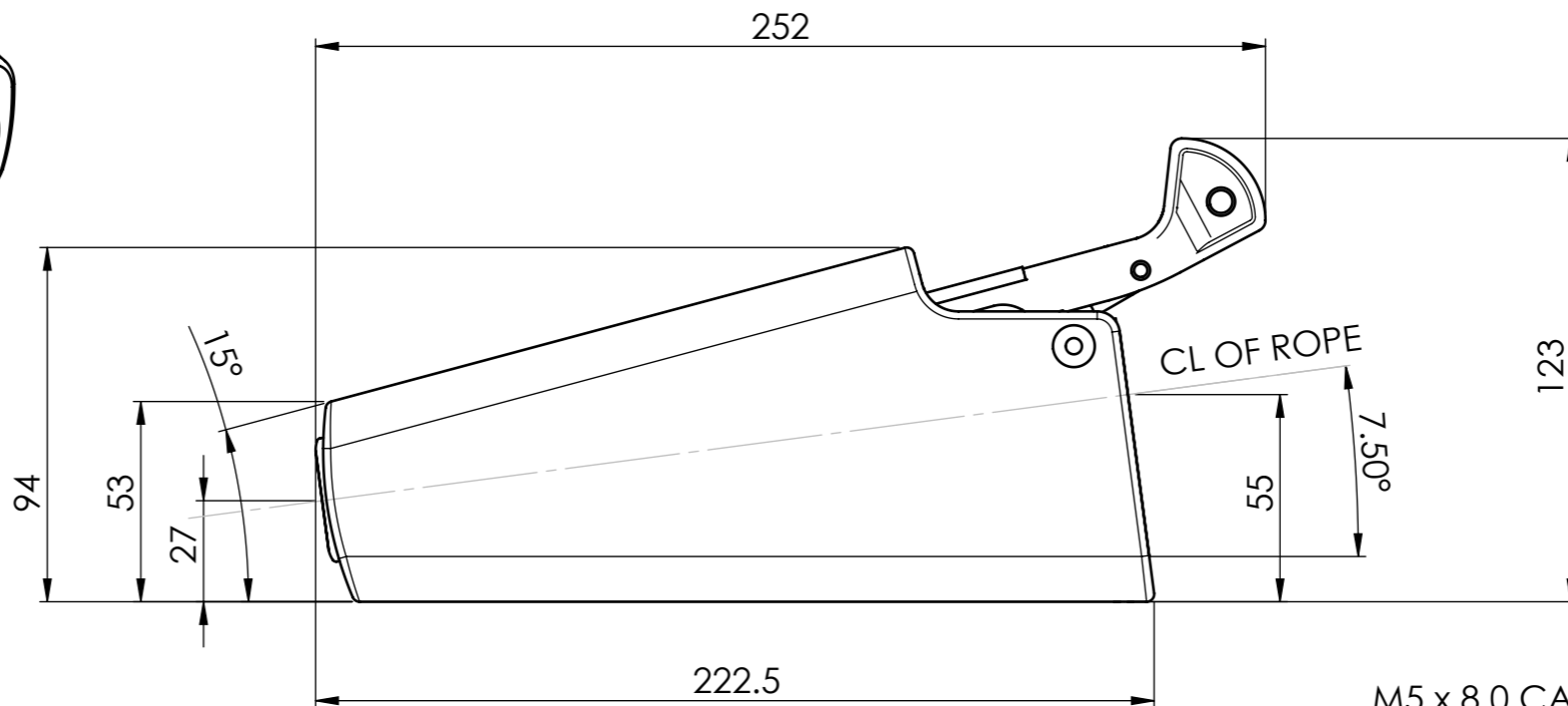
FRONT ELEVATION



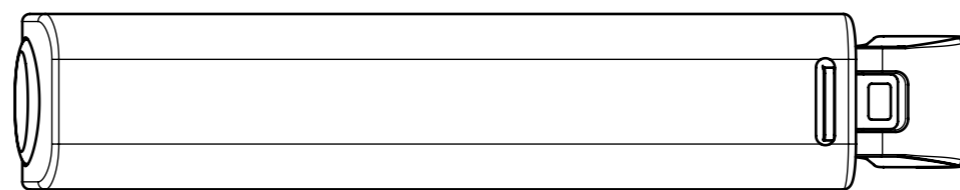
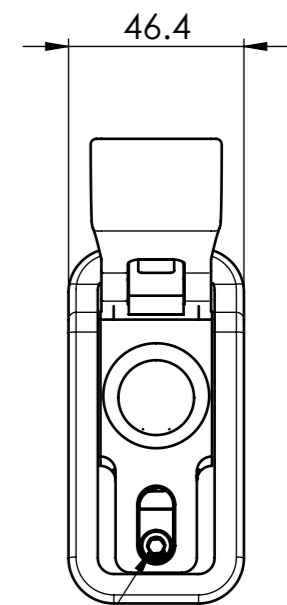
PERSPECTIVE VIEW SHOWING REAR BLOCK FASTENER



SIDE ELEVATION SHOWING HANDLE



REAR ELEVATION



SIDE ELEVATION SHOWING REAR BLOCK FASTENER

NOTES
 CARBON JAMMER BODY TO BE LEFT IN AN UNCOATED STATE TO ALLOW BONDING ONTO A SURFACE.
 JAMMER CAN BE BONDED INTO POSITION ON EITHER SIDE. ACCESS TO THE REAR BLOCK FASTENING SCREW MUST BE LEFT CLEAR FOR MAINTAINENCE.

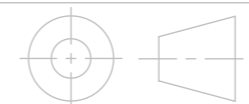
XX/XX/07	FIRST PRODUCTION ISSUE	1
DATE	DESCRIPTION	ISSUE No
USED ON	ZS1618B	SCALE 1:2
DESCRIPTION	GA ZS1618B (BONDED)	DATE 30/04/07
PART NUMBER	GA ZS1618B	SHT 1 OF 2
		DRAWN NC

spinlock

SPINLOCK LTD
 41 BIRMINGHAM ROAD
 COWES I.O.W. PO31 7BH
 TEL: +44 (0)1983 295555
 FAX: +44 (0)1983 295542

THIS DRAWING IS PROTECTED BY COPYRIGHT. ANY USE IS FORBIDDEN WITHOUT THE WRITTEN CONSENT OF SPINLOCK.

ALL DIMS IN 'mm' UNLESS OTHERWISE STATED



A3

M/C LIMITS: 0 = +/- 0.5
 0.0 = +/- 0.2
 0.00 = +/- 0.1