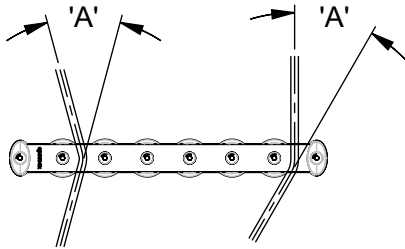
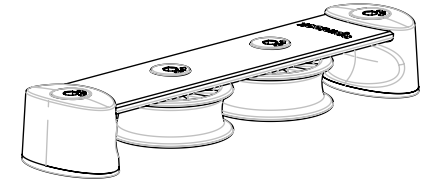


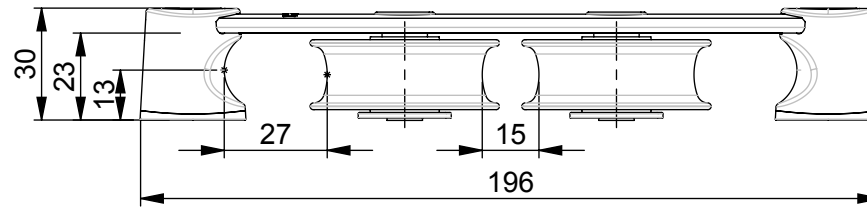
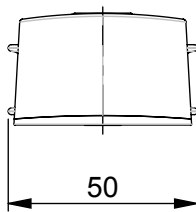
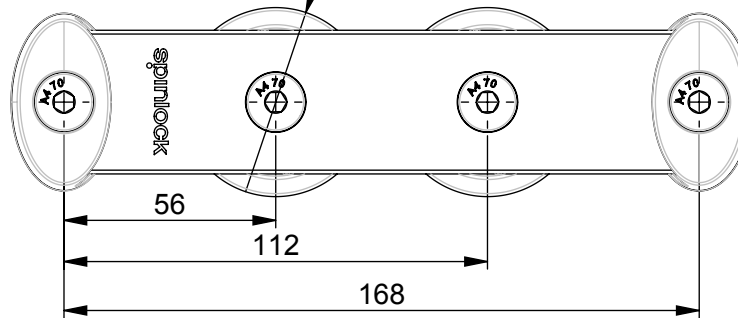
DEFLECTION ANGLE



ROPE DEFLECTION ANGLE 'A' (°)	MAX ROPE TENSION (kg)
10	5740
15	3830
30	1930
45	1310
60	1000
90	710



Ø 50 COMPOSITE SHEAVE (T50/2)
ALLOY SHEAVE (T50/2A)



spinlock
BE ADVENTURE-PROOF



WARNING:
IF USING AS A DRILL TEMPLATE, ENSURE PRINTER SETTINGS ARE ADJUSTED TO ACCOUNT FOR THE DRAWING SCALE AND **ALWAYS** CHECK DIMENSIONS BEFORE DRILLING.



COPYRIGHT:
THIS DRAWING IS PROTECTED BY COPYRIGHT. ANY USE IS FORBIDDEN WITHOUT THE WRITTEN CONSENT OF SPINLOCK.

ALL DIMENSIONS IN MM

SCALE PAGE SIZE DATE

1:2 A4 APR 2018

MAX LINE SIZE
14mm
FASTENERS
M8 CSK
x 4

PRODUCT CODE

T50-2
T50-2A

WEIGHT

190g
260g

SWL PER SHEAVE

1000kg
1000kg

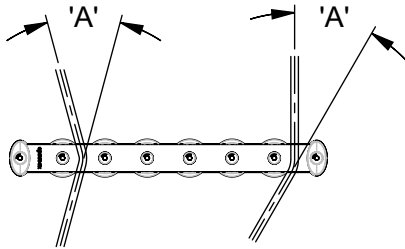
SWL PER UNIT

1000kg
1000kg

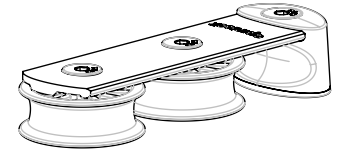
T50-2

FOR MORE INFO CONTACT
SPT@SPINLOCK.CO.UK

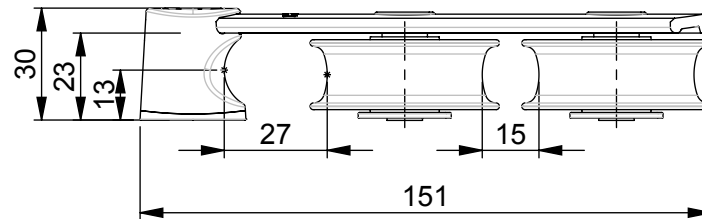
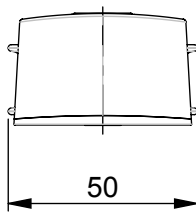
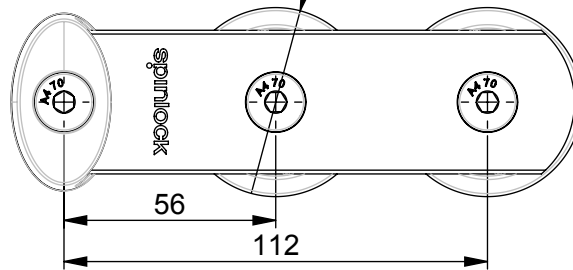
DEFLECTION ANGLE



ROPE DEFLECTION ANGLE 'A' (°)	MAX ROPE TENSION (kg)
10	5740
15	3830
30	1930
45	1310
60	1000
90	710



Ø 50 COMPOSITE SHEAVE (T50/2Y)
ALLOY SHEAVE (T50/2YA)



spinlock
BE ADVENTURE-PROOF



WARNING:
IF USING AS A DRILL TEMPLATE, ENSURE PRINTER SETTINGS ARE ADJUSTED TO ACCOUNT FOR THE DRAWING SCALE AND **ALWAYS** CHECK DIMENSIONS BEFORE DRILLING.



COPYRIGHT:
THIS DRAWING IS PROTECTED BY COPYRIGHT. ANY USE IS FORBIDDEN WITHOUT THE WRITTEN CONSENT OF SPINLOCK.

ALL DIMENSIONS IN MM

SCALE	PAGE SIZE	DATE
1:2	A4	APR 2018

MAX LINE SIZE
14mm
FASTENERS
M8 CSK
x 3

PRODUCT CODE
T50/2Y
T50/2YA

WEIGHT
150g
220g

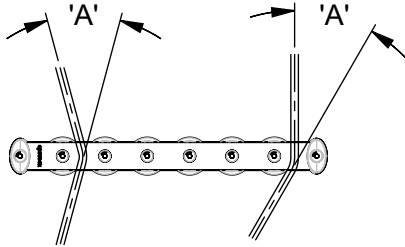
SWL PER SHEAVE
1000kg
1000kg

SWL PER UNIT
1000kg
1000kg

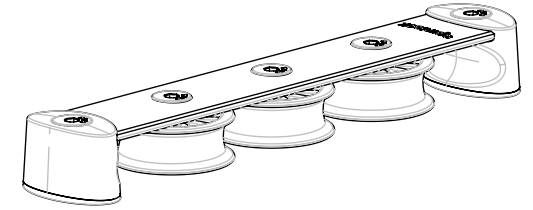
T50/2Y

FOR MORE INFO CONTACT
SPT@SPINLOCK.CO.UK

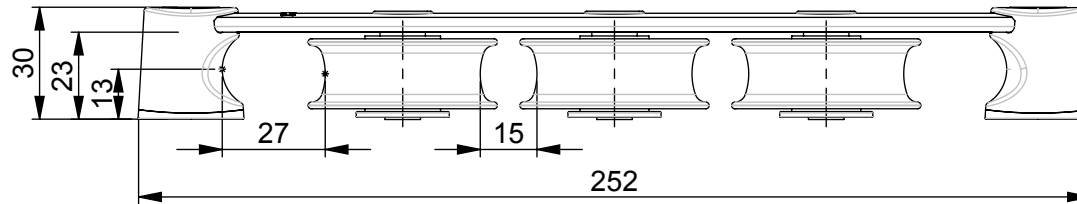
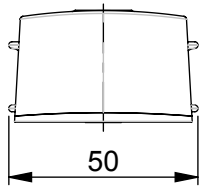
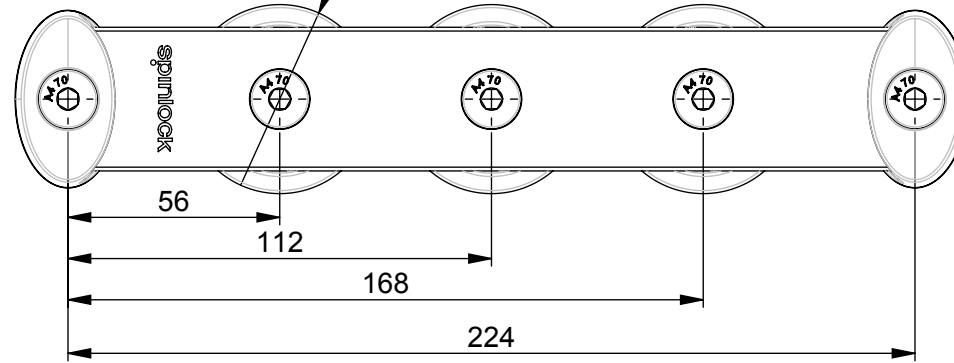
DEFLECTION ANGLE



ROPE DEFLECTION ANGLE 'A' (°)	MAX ROPE TENSION (kg)
10	5740
15	3830
30	1930
45	1310
60	1000
90	710



Ø 50 COMPOSITE SHEAVE (T50/3)
ALLOY SHEAVE (T50/3A)



spinlock
BE ADVENTURE-PROOF



WARNING:
IF USING AS A DRILL TEMPLATE, ENSURE PRINTER SETTINGS ARE ADJUSTED TO ACCOUNT FOR THE DRAWING SCALE AND **ALWAYS** CHECK DIMENSIONS BEFORE DRILLING.



COPYRIGHT:
THIS DRAWING IS PROTECTED BY COPYRIGHT. ANY USE IS FORBIDDEN WITHOUT THE WRITTEN CONSENT OF SPINLOCK.

ALL DIMENSIONS IN MM

SCALE PAGE SIZE DATE

1:2 A4 APR 2018

MAX LINE SIZE
14mm
FASTENERS
M8 CSK
x 5

PRODUCT CODE

T50-3
T50-3A

WEIGHT

255g
345g

SWL PER SHEAVE

1000kg
1000kg

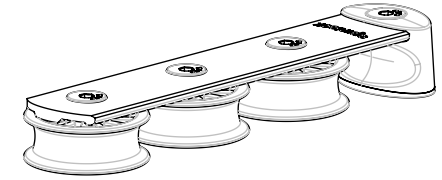
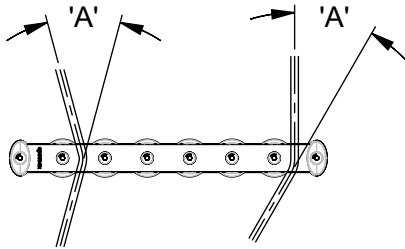
SWL PER UNIT

1500kg
1500kg

T50-3

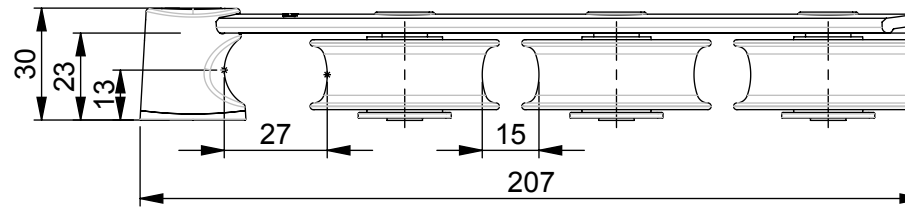
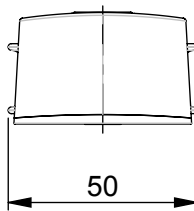
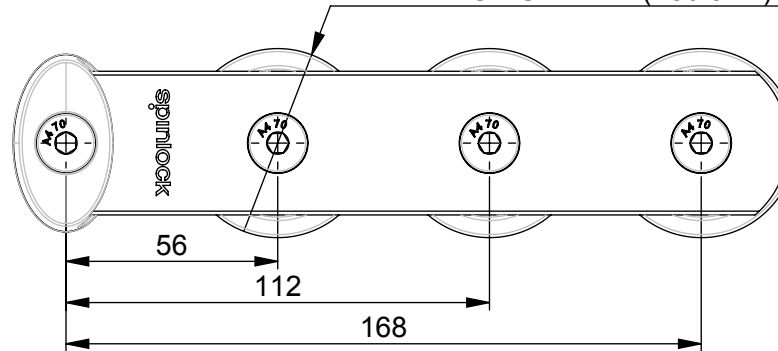
FOR MORE INFO CONTACT
SPT@SPINLOCK.CO.UK

DEFLECTION ANGLE



ROPE DEFLECTION ANGLE 'A' (°)	MAX ROPE TENSION (kg)
10	5740
15	3830
30	1930
45	1310
60	1000
90	710

Ø50 COMPOSITE SHEAVE (T50/3Y)
ALLOY SHEAVE (T50/3YA)



spinlock
BE ADVENTURE-PROOF



WARNING:
IF USING AS A DRILL TEMPLATE, ENSURE PRINTER SETTINGS ARE ADJUSTED TO ACCOUNT FOR THE DRAWING SCALE AND **ALWAYS** CHECK DIMENSIONS BEFORE DRILLING.



COPYRIGHT:
THIS DRAWING IS PROTECTED BY COPYRIGHT. ANY USE IS FORBIDDEN WITHOUT THE WRITTEN CONSENT OF SPINLOCK.

ALL DIMENSIONS IN MM

SCALE	PAGE SIZE	DATE
1:2	A4	APR 2018

MAX LINE SIZE
14mm
FASTENERS
M8 CSK
x 4

PRODUCT CODE
T50-3Y
T50-3YA

WEIGHT
235g
305g

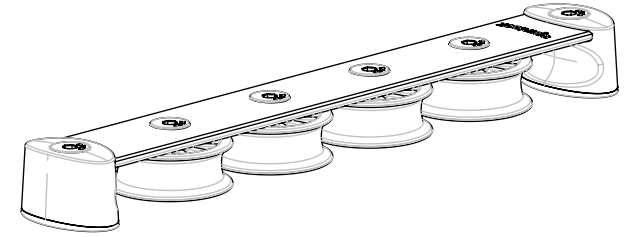
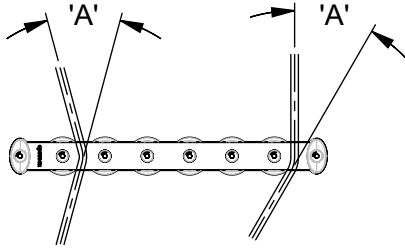
SWL PER SHEAVE
1000kg
1000kg

SWL PER UNIT
1500kg
1500kg

T50-3Y

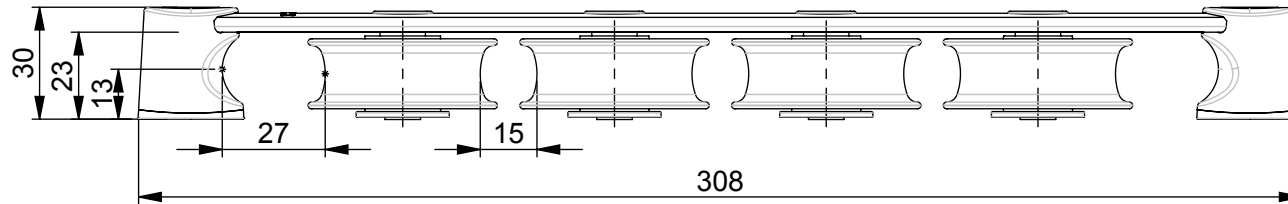
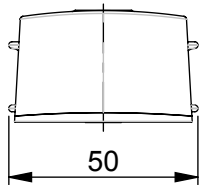
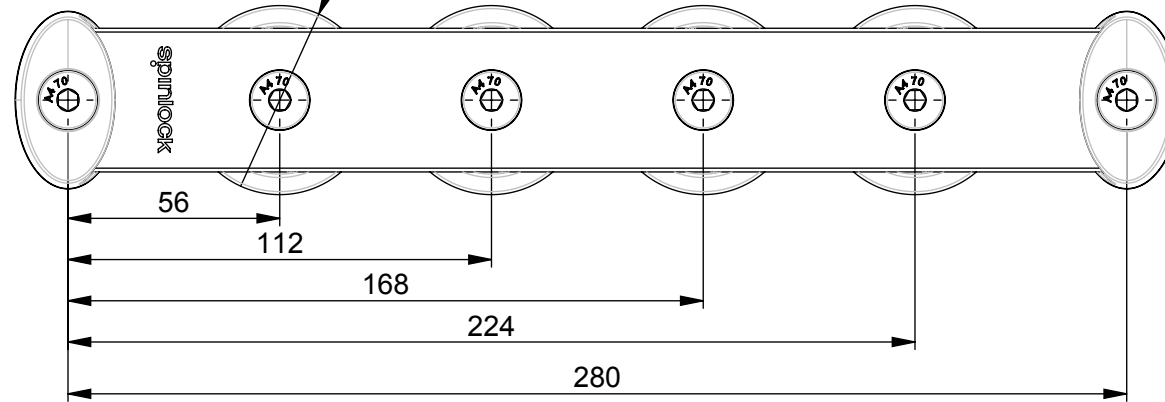
FOR MORE INFO CONTACT
SPT@SPINLOCK.CO.UK

DEFLECTION ANGLE



Ø 50 COMPOSITE SHEAVE (T50/4)
ALLOY SHEAVE (T50/4A)

ROPE DEFLECTION ANGLE 'A' (°)	MAX ROPE TENSION (kg)
10	5740
15	3830
30	1930
45	1310
60	1000
90	710



spinlock
BE ADVENTURE-PROOF



WARNING:
IF USING AS A DRILL TEMPLATE, ENSURE PRINTER SETTINGS ARE ADJUSTED TO ACCOUNT FOR THE DRAWING SCALE AND **ALWAYS** CHECK DIMENSIONS BEFORE DRILLING.



COPYRIGHT:
THIS DRAWING IS PROTECTED BY COPYRIGHT. ANY USE IS FORBIDDEN WITHOUT THE WRITTEN CONSENT OF SPINLOCK.

ALL DIMENSIONS IN MM

SCALE PAGE SIZE DATE

1:2 A4 APR 2018

MAX LINE SIZE
14mm
FASTENERS
M8 CSK
x 6

PRODUCT CODE

T50-4
T50-4A

WEIGHT

320g
410g

SWL PER SHEAVE

1000kg
1000kg

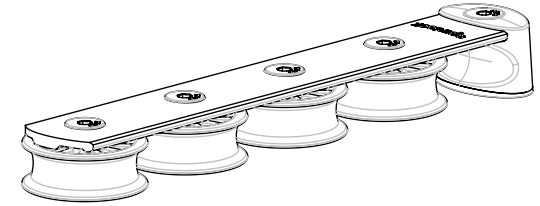
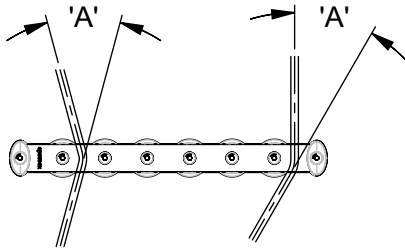
SWL PER UNIT

2000kg
2000kg

T50-4

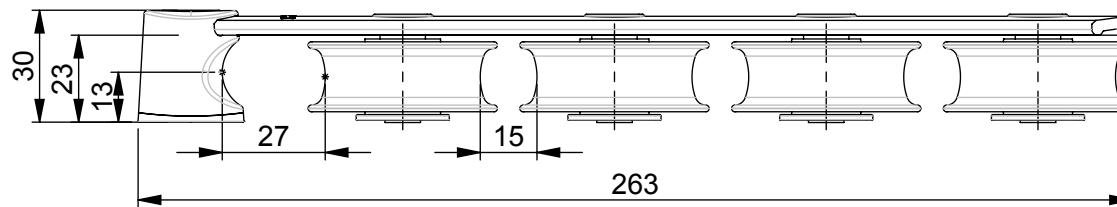
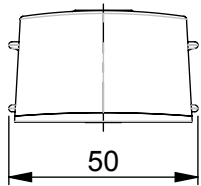
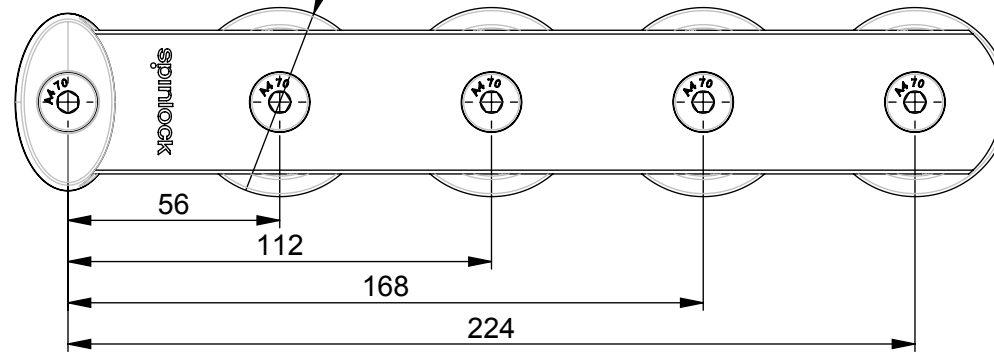
FOR MORE INFO CONTACT
SPT@SPINLOCK.CO.UK

DEFLECTION ANGLE



Ø 50 COMPOSITE SHEAVE (T50/4Y)
ALLOY SHEAVE (T50/4YA)

ROPE DEFLECTION ANGLE 'A' (°)	MAX ROPE TENSION (kg)
10	5740
15	3830
30	1930
45	1310
60	1000
90	710



spinlock
BE ADVENTURE-PROOF



WARNING:
IF USING AS A DRILL TEMPLATE, ENSURE PRINTER SETTINGS ARE ADJUSTED TO ACCOUNT FOR THE DRAWING SCALE AND **ALWAYS** CHECK DIMENSIONS BEFORE DRILLING.



COPYRIGHT:
THIS DRAWING IS PROTECTED BY COPYRIGHT. ANY USE IS FORBIDDEN WITHOUT THE WRITTEN CONSENT OF SPINLOCK.

ALL DIMENSIONS IN MM

SCALE PAGE SIZE DATE

1:2 A4 APR 2018

MAX LINE SIZE
14mm
FASTENERS
M8 CSK
x 5

PRODUCT CODE

T50/4Y
T50/4YA

WEIGHT

320g
390g

SWL PER SHEAVE

1000kg
1000kg

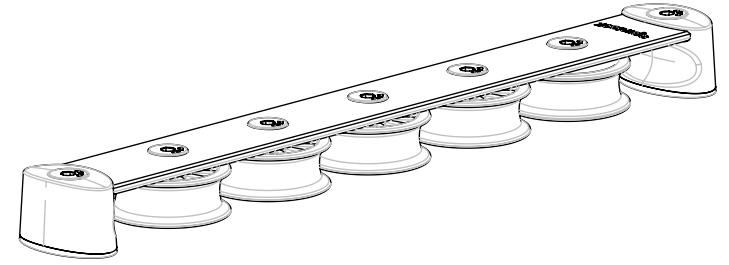
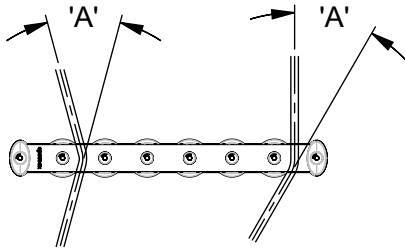
SWL PER UNIT

2000kg
2000kg

T50/4Y

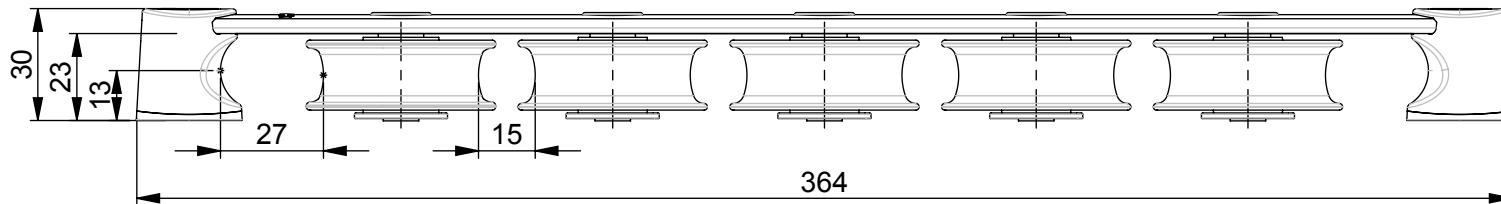
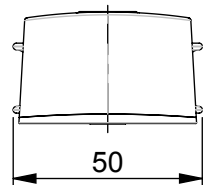
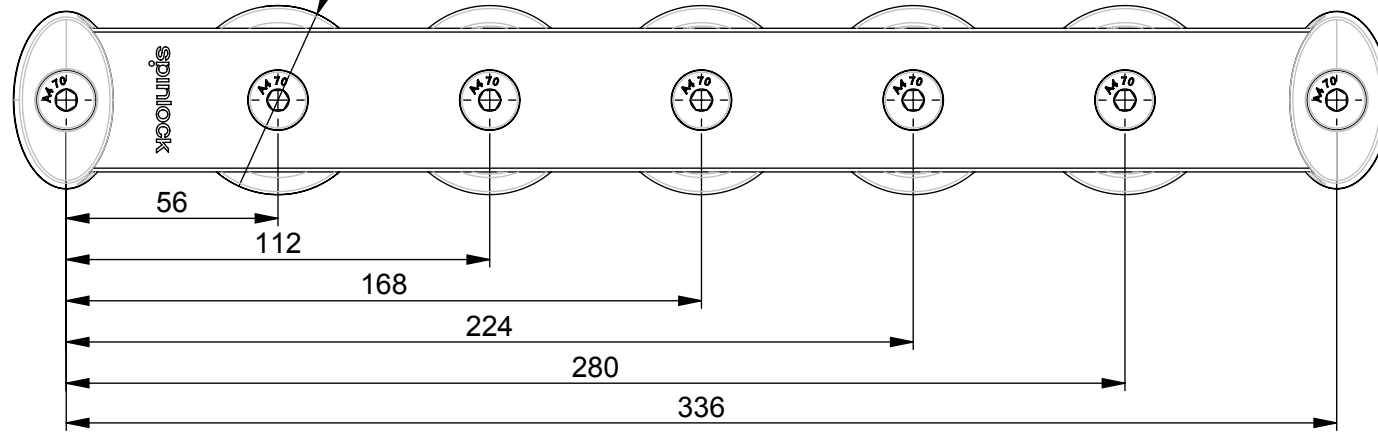
FOR MORE INFO CONTACT
SPT@SPINLOCK.CO.UK

DEFLECTION ANGLE



Ø 50 COMPOSITE SHEAVE (T50/5)
ALLOY SHEAVE (T50/5A)

ROPE DEFLECTION ANGLE 'A' (°)	MAX ROPE TENSION (kg)
10	5740
15	3830
30	1930
45	1310
60	1000
90	710



spinlock
BE ADVENTURE-PROOF



WARNING:
IF USING AS A DRILL TEMPLATE, ENSURE PRINTER SETTINGS ARE ADJUSTED TO ACCOUNT FOR THE DRAWING SCALE AND **ALWAYS** CHECK DIMENSIONS BEFORE DRILLING.



COPYRIGHT:
THIS DRAWING IS PROTECTED BY COPYRIGHT. ANY USE IS FORBIDDEN WITHOUT THE WRITTEN CONSENT OF SPINLOCK.

ALL DIMENSIONS IN MM

SCALE	PAGE SIZE	DATE
1:2	A4	APR 2018

MAX LINE SIZE
14mm
FASTENERS
M8 CSK
x 7

PRODUCT CODE
T50-5 T50-5A

WEIGHT
385g 475g

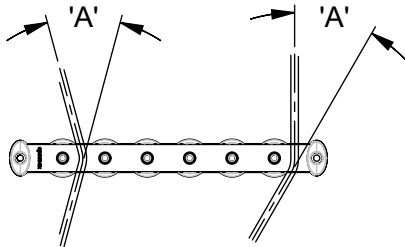
SWL PER SHEAVE
1000kg 1000kg

SWL PER UNIT
2500kg 2500kg

T50-5

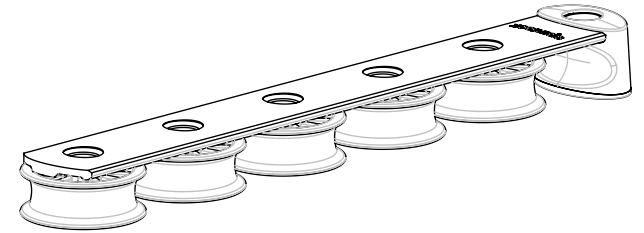
FOR MORE INFO CONTACT
SPT@SPINLOCK.CO.UK

DEFLECTION ANGLE

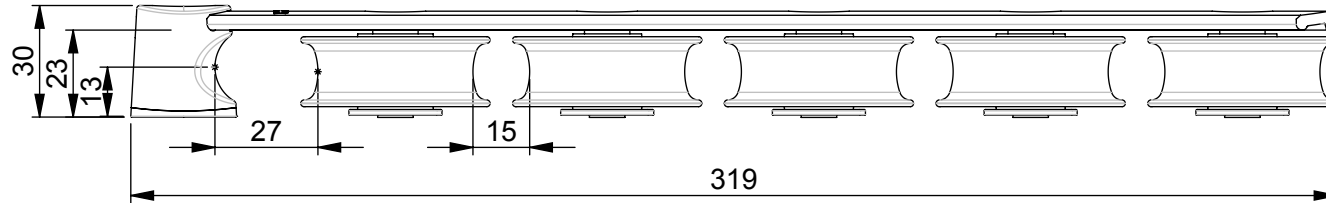
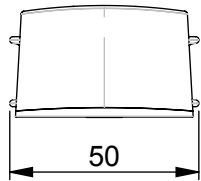
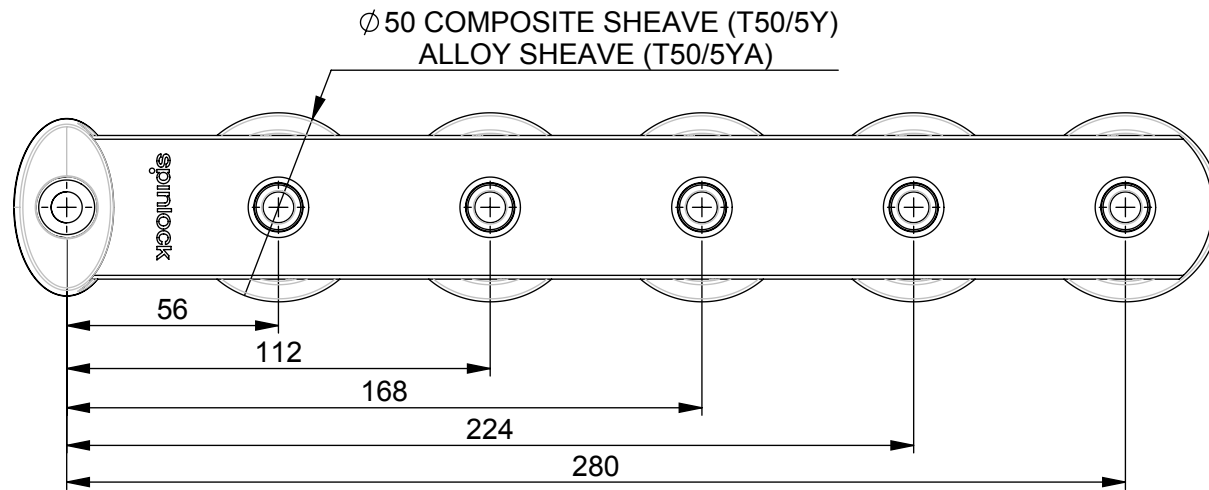


BISECTED ROPE ENTRY

STRAIGHT ROPE ENTRY



Rope Deflection Angle 'A' (°)	Max Rope Tension 'A' (kg)
10	8610
15	5750
30	2900
45	1960
60	1500
90	1060



spinlock
BE ADVENTURE-PROOF



WARNING:
IF USING AS A DRILL TEMPLATE, ENSURE PRINTER SETTINGS ARE ADJUSTED TO ACCOUNT FOR THE DRAWING SCALE AND **ALWAYS** CHECK DIMENSIONS BEFORE DRILLING.



COPYRIGHT:
THIS DRAWING IS PROTECTED BY COPYRIGHT. ANY USE IS FORBIDDEN WITHOUT THE WRITTEN CONSENT OF SPINLOCK.

ALL DIMENSIONS IN MM

SCALE PAGE SIZE DATE

1:2 A4 MAR 2018

MAX LINE SIZE
14mm
FASTENERS
M6 CSK
x 6

PRODUCT CODE

T50-5Y
T50-5YA

WEIGHT

405g
475g

MAX LOAD

1500kg
1500kg

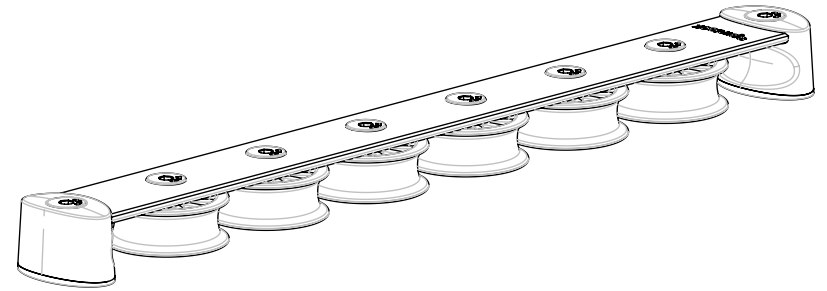
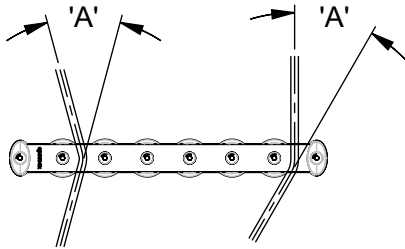
MAX LOAD PER UNIT

2500kg
2500kg

T50-5Y

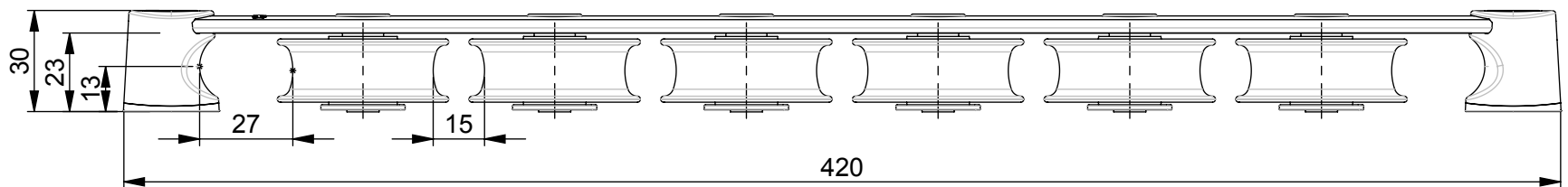
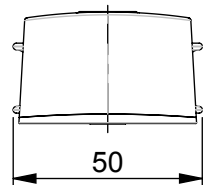
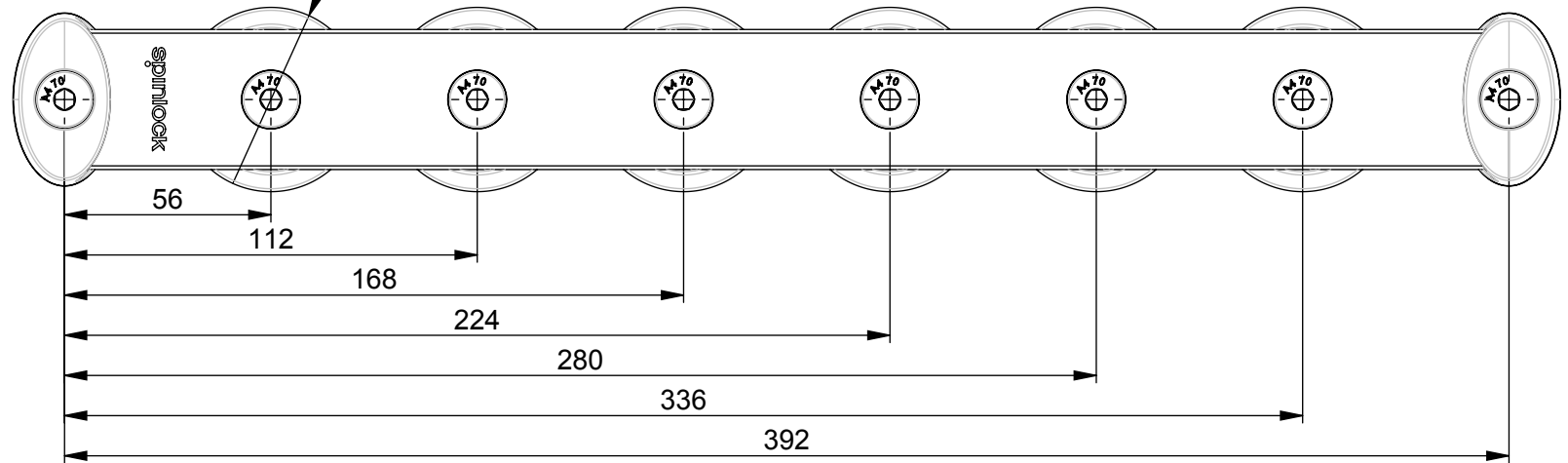
FOR MORE INFO CONTACT
SPT@SPINLOCK.CO.UK

DEFLECTION ANGLE



Ø 50 COMPOSITE SHEAVE (T50/6)
ALLOY SHEAVE (T50/6A)

ROPE DEFLECTION ANGLE 'A' (°)	MAX ROPE TENSION (kg)
10	5740
15	3830
30	1930
45	1310
60	1000
90	710



spinlock
BE ADVENTURE-PROOF



WARNING:
IF USING AS A DRILL TEMPLATE, ENSURE PRINTER SETTINGS ARE ADJUSTED TO ACCOUNT FOR THE DRAWING SCALE AND **ALWAYS** CHECK DIMENSIONS BEFORE DRILLING.



COPYRIGHT:
THIS DRAWING IS PROTECTED BY COPYRIGHT. ANY USE IS FORBIDDEN WITHOUT THE WRITTEN CONSENT OF SPINLOCK.

ALL DIMENSIONS IN MM

SCALE PAGE SIZE DATE

1:2 A4 APR 2018

MAX LINE SIZE
14mm
FASTENERS
M8 CSK
x 8

PRODUCT CODE

T50/6
T50/6A

WEIGHT

450g
540g

SWL PER SHEAVE

1000kg
1000kg

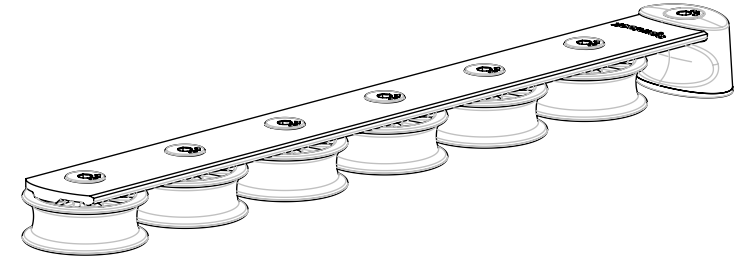
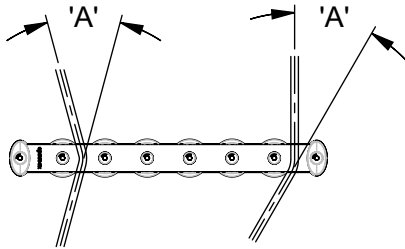
SWL PER UNIT

3000kg
3000kg

T50/6

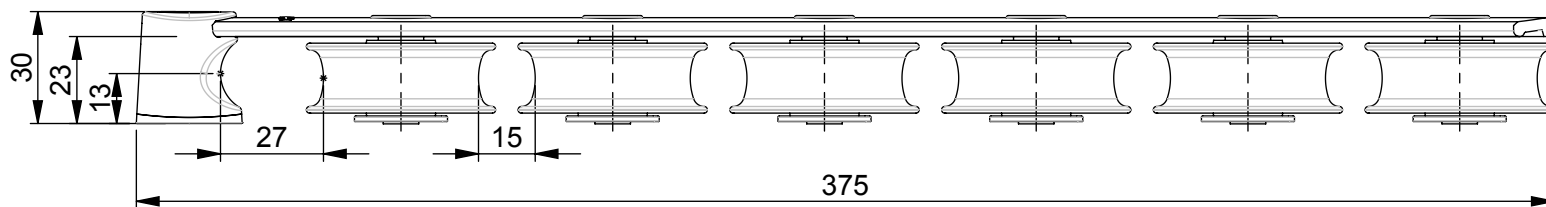
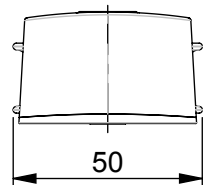
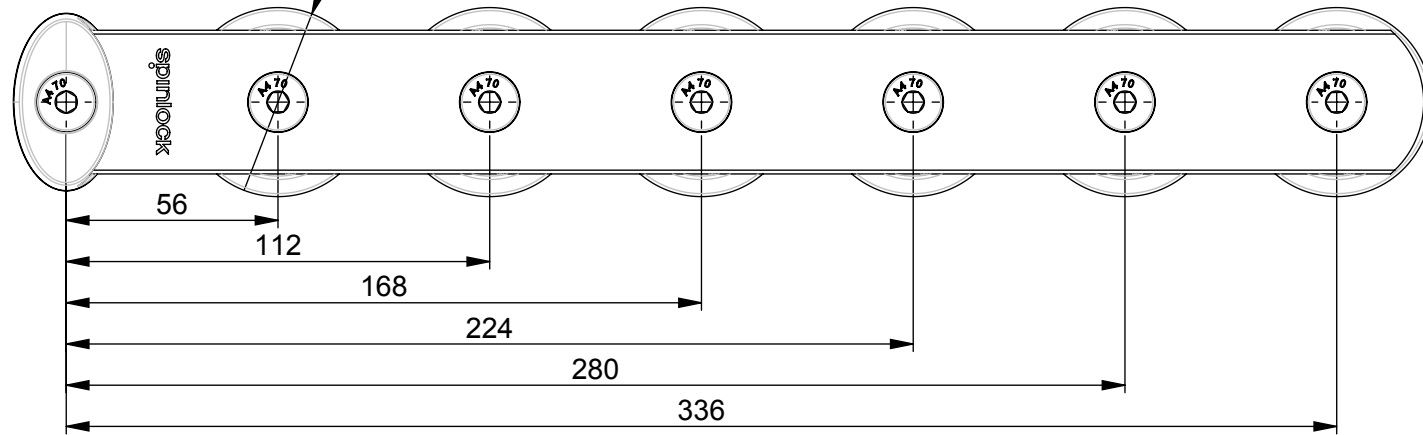
FOR MORE INFO CONTACT
SPT@SPINLOCK.CO.UK

DEFLECTION ANGLE



Ø 50 COMPOSITE SHEAVE (T50/6Y)
ALLOY SHEAVE (T50/6YA)

ROPE DEFLECTION ANGLE 'A' (°)	MAX ROPE TENSION (kg)
10	5740
15	3830
30	1930
45	1310
60	1000
90	710



spinlock
BE ADVENTURE-PROOF



WARNING:
IF USING AS A DRILL TEMPLATE, ENSURE PRINTER SETTINGS ARE ADJUSTED TO ACCOUNT FOR THE DRAWING SCALE AND **ALWAYS** CHECK DIMENSIONS BEFORE DRILLING.



COPYRIGHT:
THIS DRAWING IS PROTECTED BY COPYRIGHT. ANY USE IS FORBIDDEN WITHOUT THE WRITTEN CONSENT OF SPINLOCK.

ALL DIMENSIONS IN MM

SCALE	PAGE SIZE	DATE
1:2	A4	APR 2018

MAX LINE SIZE
14mm
FASTENERS
M8 CSK
x 7

PRODUCT CODE
T50-6Y
T50-6YA

WEIGHT
490g
560g

SWL PER SHEAVE
1000kg
1000kg

SWL PER UNIT
3000kg
3000kg

T50-6Y

FOR MORE INFO CONTACT
SPT@SPINLOCK.CO.UK