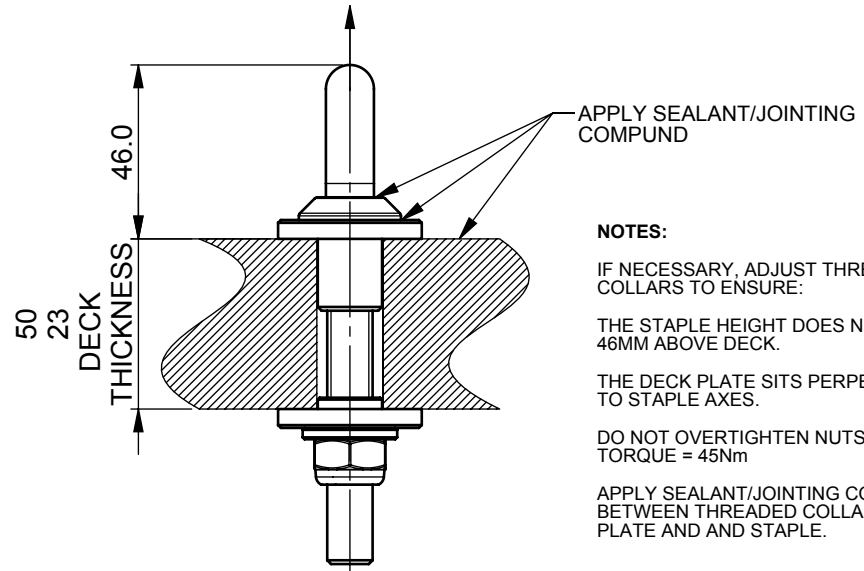


TO ACHIEVE SWL.
LOAD MUST BE
APPLIED IN PLANE
WITH CENTRELINES
OF THREADS



NOTES:

- IF NECESSARY, ADJUST THREADED COLLARS TO ENSURE:
- THE STAPLE HEIGHT DOES NOT EXCEED 46MM ABOVE DECK.
- THE DECK PLATE SITS PERPENDICULAR TO STAPLE AXES.
- DO NOT OVERTIGHTEN NUTS, MAXIMUM TORQUE = 45Nm
- APPLY SEALANT/JOINTING COMPOUND BETWEEN THREADED COLLAR, DECK PLATE AND AND STAPLE.



WARNING:
IF USING AS TEMPLATE, ENSURE PRINTER SETTINGS ARE ADJUSTED TO ACCOUNT FOR THE DRAWING SCALE AND **ALWAYS** CHECK DIMENSIONS.

COPYRIGHT:
THIS DRAWING IS PROTECTED BY COPYRIGHT. ANY USE IS FORBIDDEN WITHOUT THE WRITTEN CONSENT OF SPINLOCK.

| ALL DIMENSIONS IN MM | | | FASTENERS | WEIGHT | MAX LOAD |
|----------------------|-----------|----------|-----------|--------|--|
| SCALE | PAGE SIZE | DATE | | | |
| 1:2 | A4 | APR 2018 | M12 x 2 | 440g | 0° FROM VERTICAL, SWL = 9750KG 45° FROM VERTICAL, SWL = 6750KG 90° FROM VERTICAL, SWL = 6750KG |