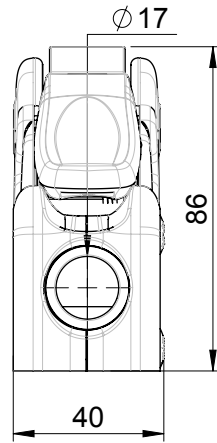
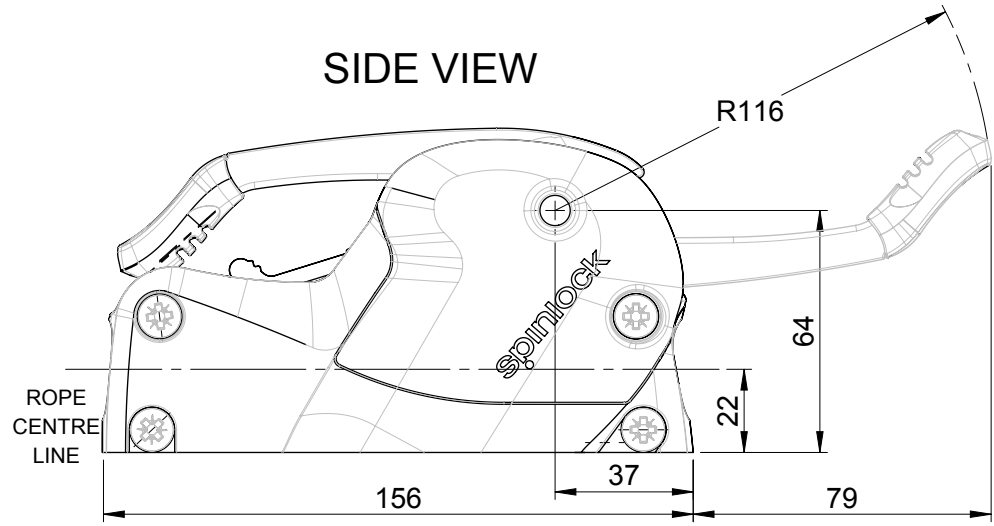


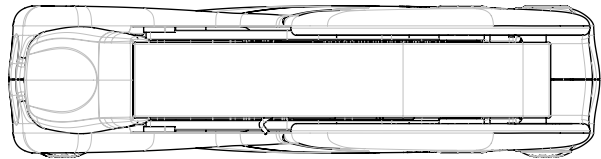
REAR VIEW



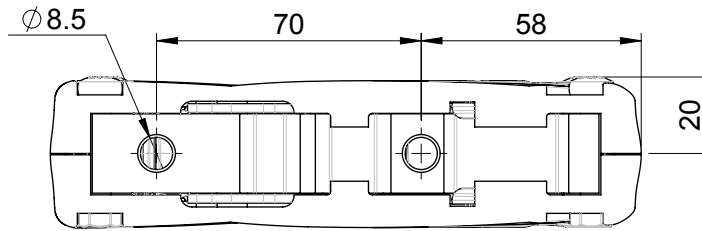
SIDE VIEW



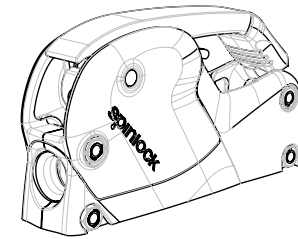
ALLOW FOR SUFFICIENT SPACE FOR HANDLE ROTATION.



TOP VIEW



BOTTOM VIEW



spinlock
BE ADVENTURE-PROOF



WARNING:
IF USING AS A DRILL TEMPLATE, ENSURE PRINTER SETTINGS ARE ADJUSTED TO ACCOUNT FOR THE DRAWING SCALE AND **ALWAYS** CHECK DIMENSIONS BEFORE DRILLING.



COPYRIGHT:
THIS DRAWING IS PROTECTED BY COPYRIGHT. ANY USE IS FORBIDDEN WITHOUT THE WRITTEN CONSENT OF SPINLOCK.

ALL DIMENSIONS IN MM

SCALE	PAGE SIZE	DATE
1:2	A4	FEB 2018

WEIGHT
550g

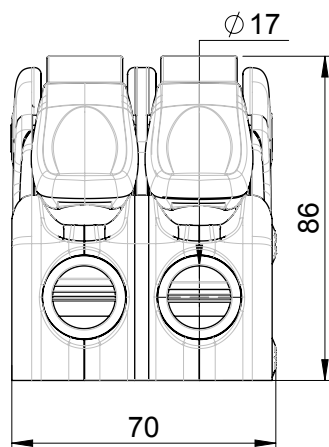
FASTENERS
M8 CSK
x 2

PRODUCT CODE	LINE SIZE	MAX LOAD
XTS0610/1	6-10mm	700kg
XTS0814/1	8-14mm	1000kg

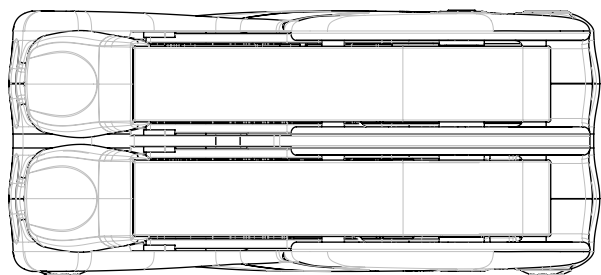
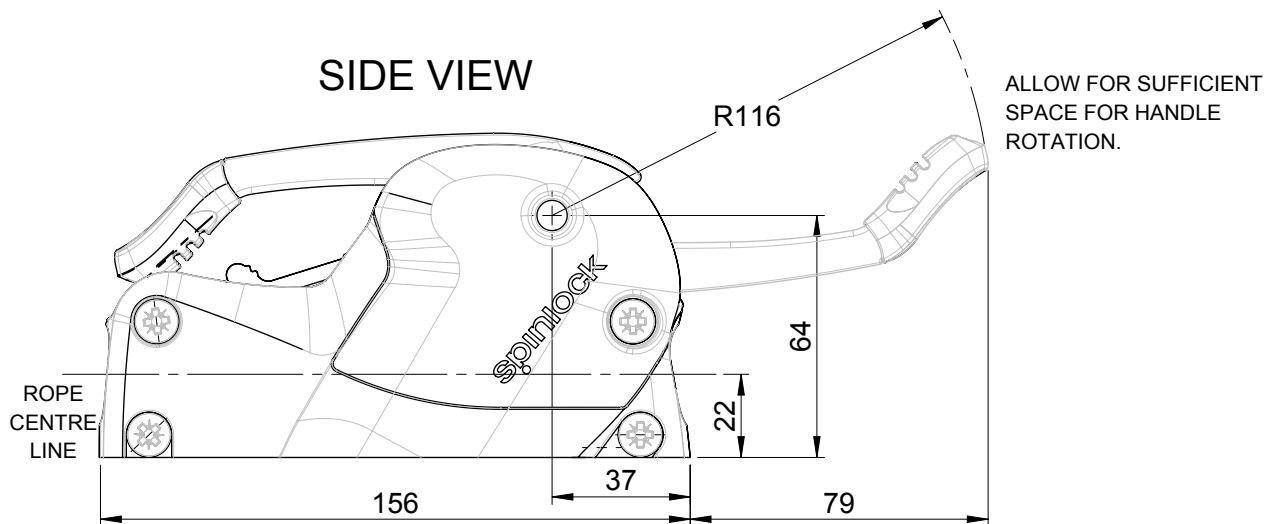
XTS/1

FOR MORE INFO CONTACT SPT@SPINLOCK.CO.UK

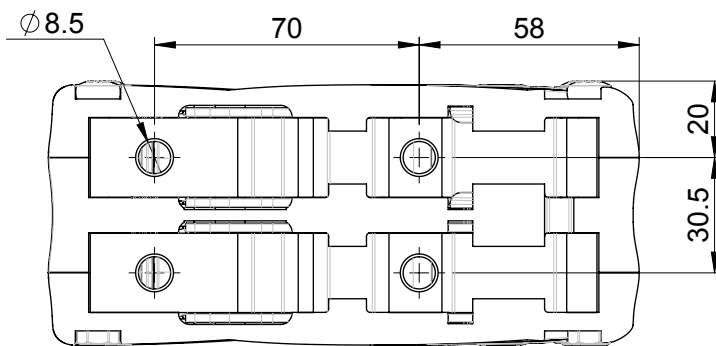
REAR VIEW



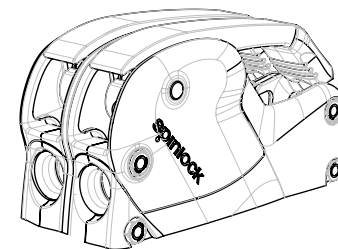
SIDE VIEW



TOP VIEW



BOTTOM VIEW



spinlock
BE ADVENTURE-PROOF



WARNING:
IF USING AS A DRILL TEMPLATE, ENSURE PRINTER SETTINGS ARE ADJUSTED TO ACCOUNT FOR THE DRAWING SCALE AND **ALWAYS** CHECK DIMENSIONS BEFORE DRILLING.



COPYRIGHT:
THIS DRAWING IS PROTECTED BY COPYRIGHT. ANY USE IS FORBIDDEN WITHOUT THE WRITTEN CONSENT OF SPINLOCK.

ALL DIMENSIONS IN MM

SCALE	PAGE SIZE	DATE
1:2	A4	FEB 2018

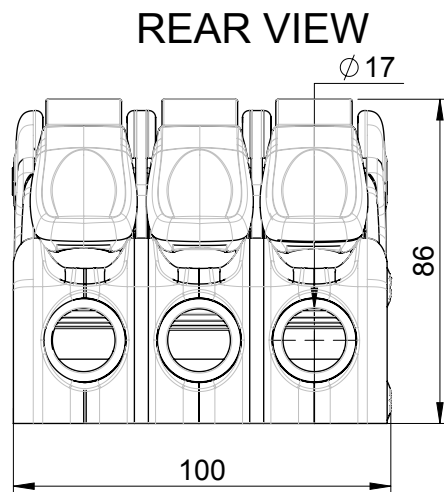
WEIGHT
1050g

FASTENERS
M8 CSK
x 4

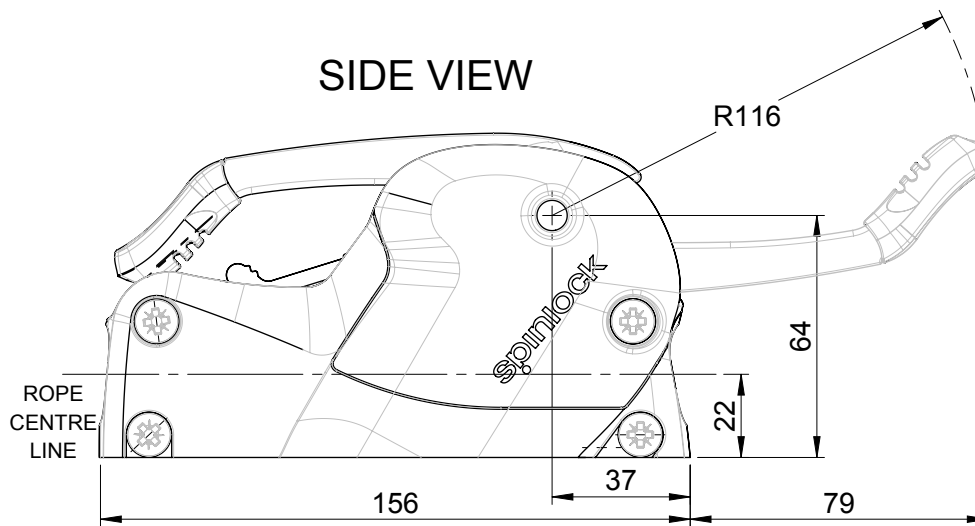
PRODUCT CODE	LINE SIZE	MAX LOAD
XTS0610/2	6-10mm	700kg
XTS0814/2	8-14mm	1000kg

XTS/2

FOR MORE INFO CONTACT SPT@SPINLOCK.CO.UK

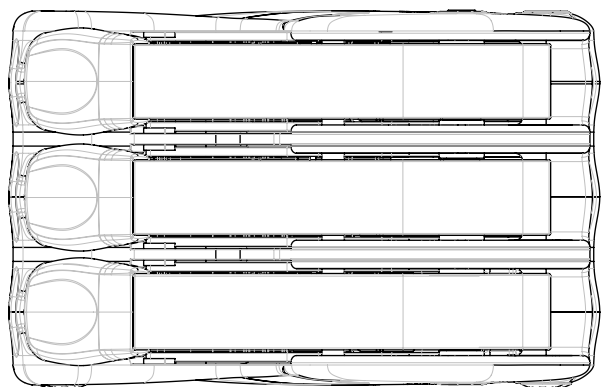


REAR VIEW

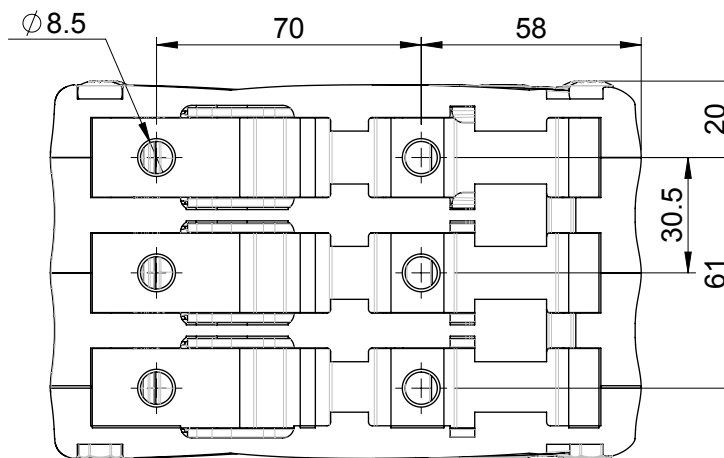


SIDE VIEW

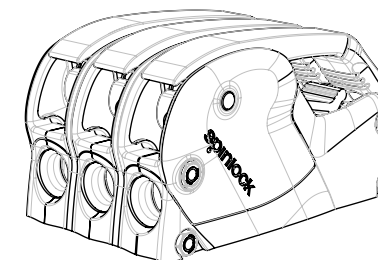
ALLOW FOR SUFFICIENT SPACE FOR HANDLE ROTATION.



TOP VIEW



BOTTOM VIEW



spinlock
BE ADVENTURE-PROOF



WARNING:
IF USING AS A DRILL TEMPLATE, ENSURE PRINTER SETTINGS ARE ADJUSTED TO ACCOUNT FOR THE DRAWING SCALE AND **ALWAYS** CHECK DIMENSIONS BEFORE DRILLING.



COPYRIGHT:
THIS DRAWING IS PROTECTED BY COPYRIGHT. ANY USE IS FORBIDDEN WITHOUT THE WRITTEN CONSENT OF SPINLOCK.

ALL DIMENSIONS IN MM

SCALE PAGE SIZE DATE

1:2 A4 FEB 2018

WEIGHT
1550g

FASTENERS
M8 CSK
x 6

PRODUCT CODE

XTS0610/3

XTS0814/3

LINE SIZE

6-10mm

8-14mm

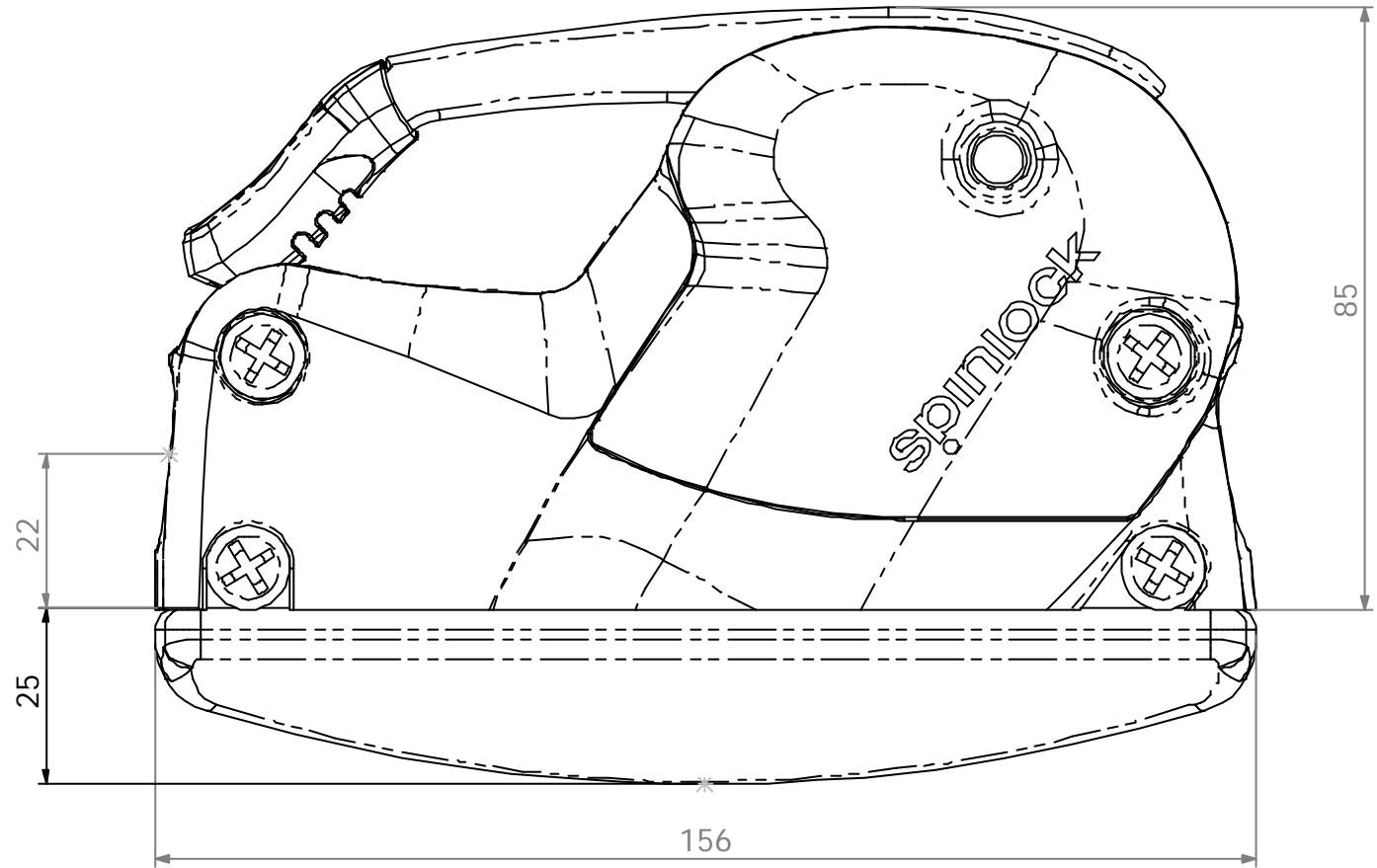
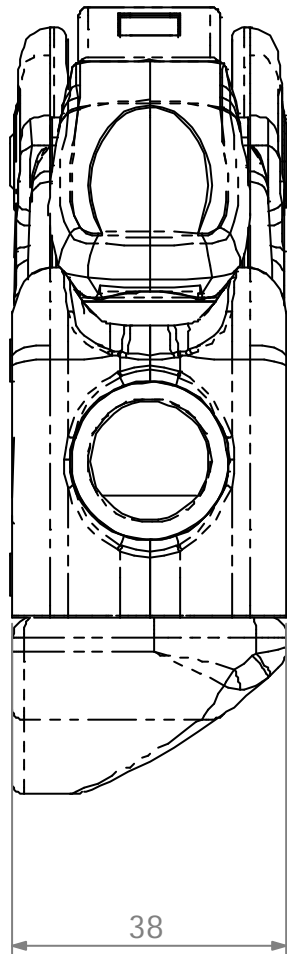
MAX LOAD

700kg

1000kg

XTS/3

FOR MORE INFO CONTACT SPT@SPINLOCK.CO.UK



spinlock
SPINLOCK REFERENCE XTS-SMNT
SCALE ALL DIMENSIONS IN mm
RECOMENDED FASTENERS M6 (SUPPLIED)