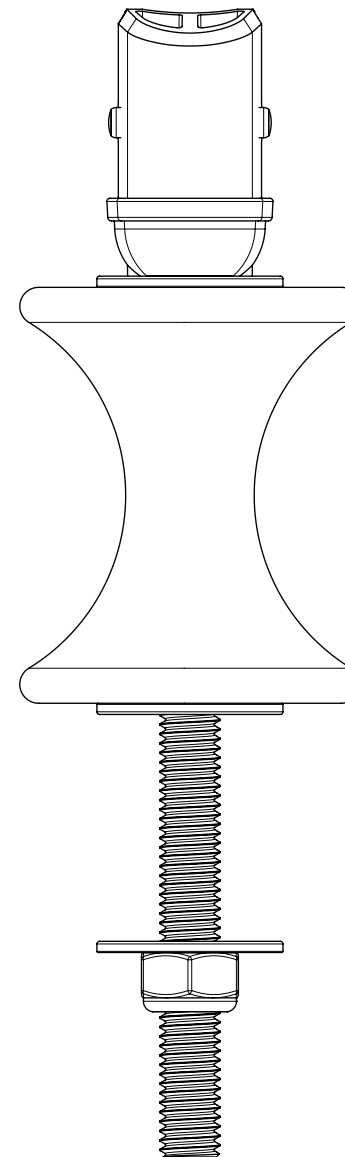


MAXIMUM TILLER
THICKNESS - 48MM

M8 STUD
USE THREADLOCK
WITH INSTALLATION

M8 LOCK-NUT



spinlock
BE ADVENTURE-PROOF



WARNING:
IF USING AS TEMPLATE, ENSURE PRINTER SETTINGS ARE
ADJUSTED TO ACCOUNT FOR THE DRAWING SCALE AND **ALWAYS**
CHECK DIMENSIONS.



COPYRIGHT:
THIS DRAWING IS PROTECTED BY COPYRIGHT. ANY USE IS
FORBIDDEN WITHOUT THE WRITTEN CONSENT OF SPINLOCK.

ALL DIMENSIONS IN MM

SCALE

1:1

PAGE SIZE
(297 x 210)

A4

DATE:

JAN21

WEIGHT:

135g

FASTENERS:

1 x M8 STUD

MAX LOAD:

N/A

E-DIABOLO

TILLER EXTENSION DIABOLO JOINT